

MODEL 2

ILLUSTRATED PARTS BREAKDOWN MANUAL

To be used for reference only

TABLE OF CONTENTS

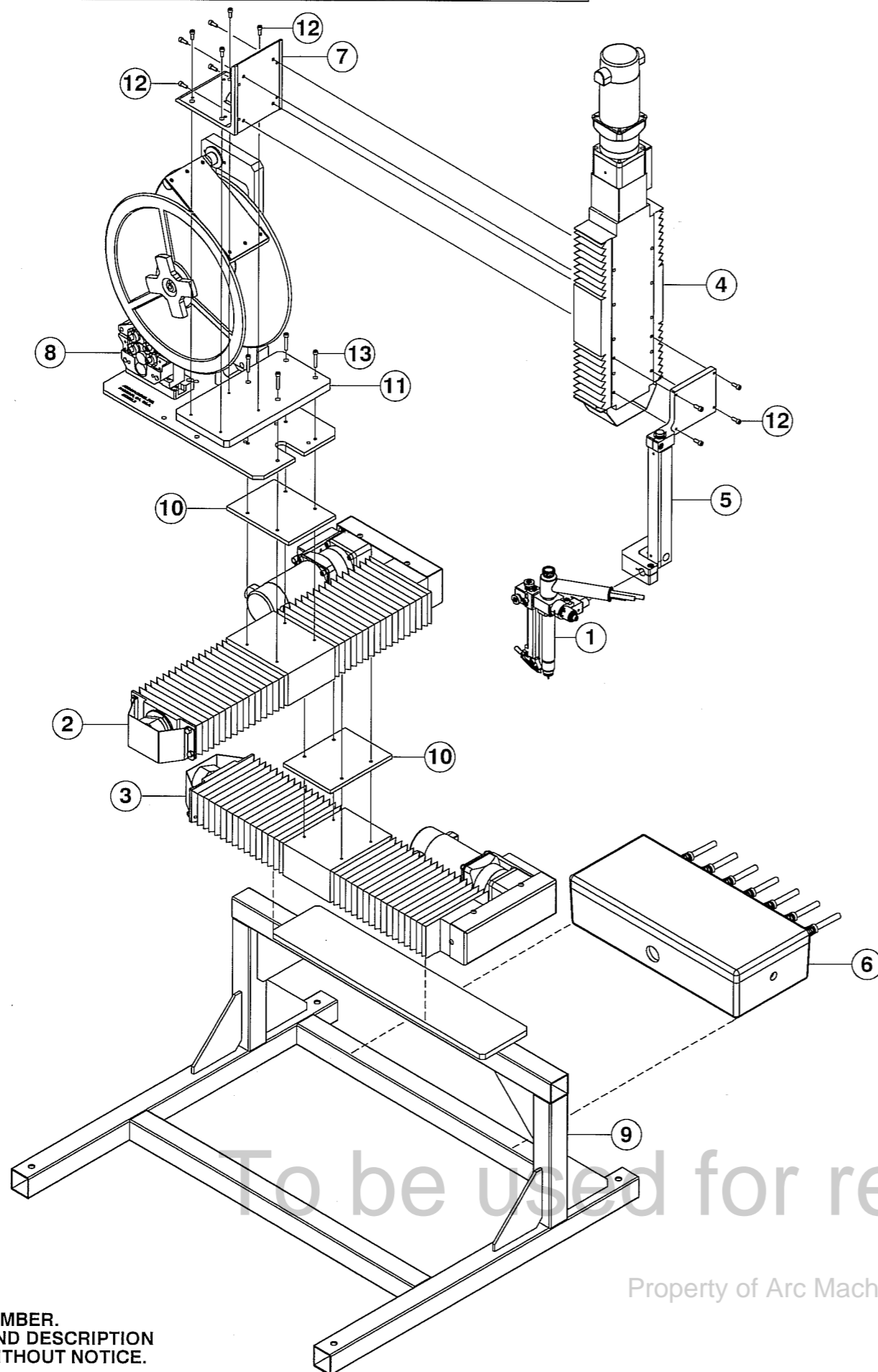
DATE EFFECTIVE: 8 MAR 2004
DATE REVISED:

PRODUCT MODEL: 2
MANUAL NUMBER: 730115

IPB NUMBER	DESCRIPTION
020126	WELD HEAD ASSEMBLY
020708	MANUAL TORCH SINGLE WIRE ENTRY 6-1/2 IN LONG ASSEMBLY
020705	BRACKET TORCH MTG SWIVEL ASSEMBLY
020400	SPOOL MOUNT AND WIRE FEEDER ASSEMBLY
020500	WIRE FEEDER ASSEMBLY
940500	WIRE FEEDER ASSEMBLY
940501	GEAR WIRE FEEDER ASSEMBLY
150407	SPOOL HOLDER 30 LB ASSEMBLY

To be used for reference only

THIS DOCUMENT OR DRAWING AND THE INFORMATION CONTAINED HEREIN IS THE PROPERTY OF ARC MACHINES, INC., IS PROPRIETARY, IS SUBMITTED AND RECEIVED IN CONFIDENCE, SHALL BE USED ONLY FOR THE PURPOSE FOR WHICH IT IS SUBMITTED AND SHALL NOT BE COPIED IN WHOLE OR IN PART WITHOUT THE PRIOR EXPRESS WRITTEN PERMISSION OF ARC MACHINES, INC.



ITEM NO.	QTY.	PART NO.	DESCRIPTION
1	1	13020708-01	M2 MANUAL TORCH SINGLE WIRE ENTRY 6-1/2 IN LG
2	1	13020119-03	M2-SL085-080-E500 SLIDE 8.50IN LH MOTR WRAP 500 LINE ENCODR
3	1	13020119-07	M2-SL085-080-E500 SLIDE 8.50IN LH MOTR 11:1 RATIO W/ENCODER
4	1	13020103-03	M2-SA040 SLIDE 4.00 IN WITHOUT ENCODER ASSY
5	1	13020705-01	BRACKET TORCH MTG SWIVEL ASSY
6	1	13020810-01	CONNECTOR J BOX ASSY
7	1	13021202-01	BRACKET AVC MOUNT ASSY
8	1	13020400-01	SPOOL MOUNT AND W/F ASSY
9	1	42020106-01	RACK DEMO WELDHEAD M2
10	2	22020614-01	SPACER SLIDE 1/4 THK
11	1	22021208-01	PLATE ADAPTER OSCILLATOR SLIDE
12	12	SCS08-32-0.43NP	SCREW CAPSKT 8-32 7/16 L
13	4	SCS08-32-1.00NP	SCREW CAP SKT 8-32 1.0L

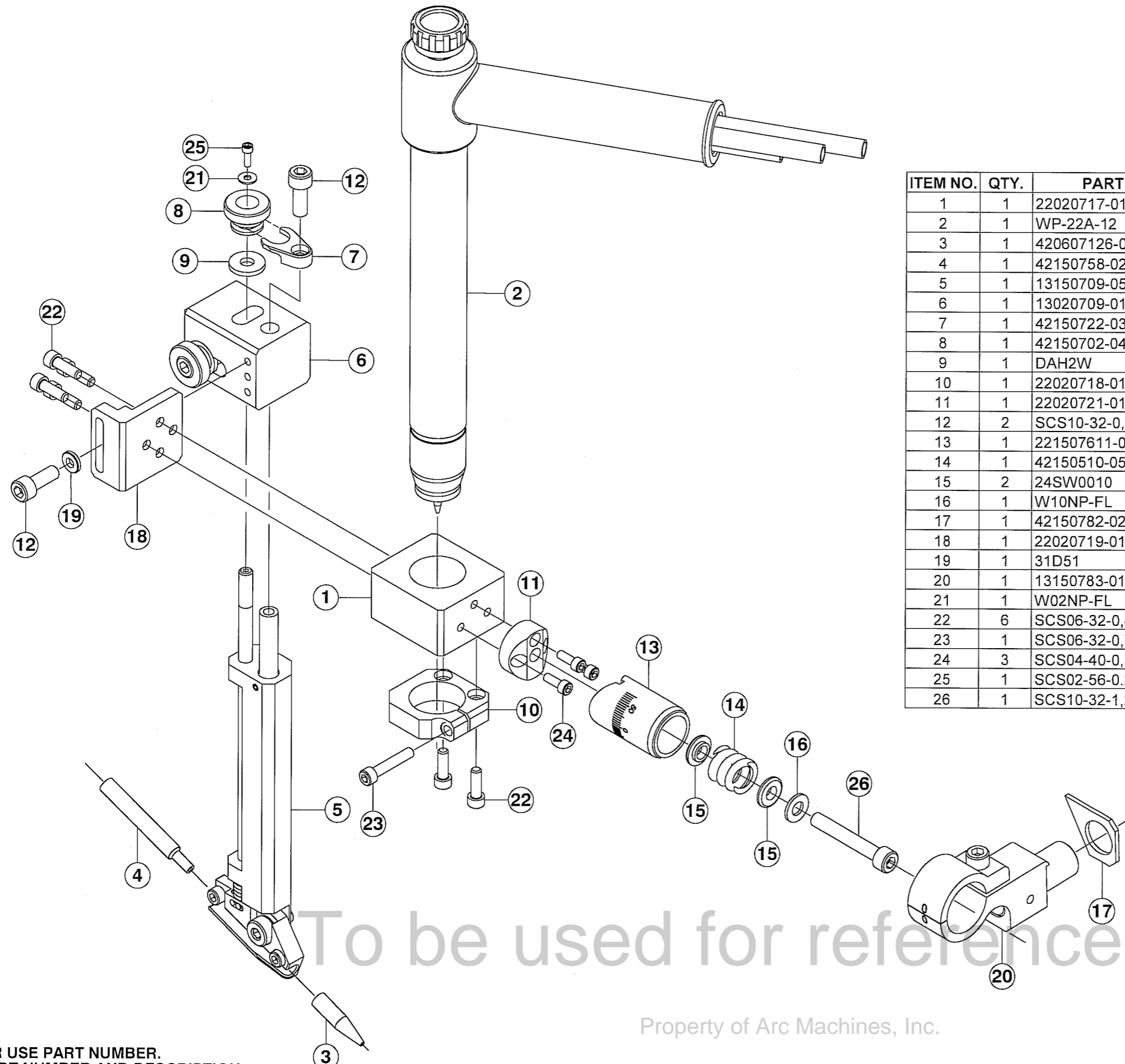
To be used for reference only

MODEL 2
IPB 020126
WELDHEAD ASSEMBLY

Property of Arc Machines, Inc.

ISSUED: 25 FEB 2004
REVISED:

TO ORDER USE PART NUMBER.
PRICE, PART NUMBER AND DESCRIPTION
SUBJECT TO CHANGE WITHOUT NOTICE.



ITEM NO.	QTY.	PART NO.	DESCRIPTION
1	1	22020717-01	TORCH BLOCK
2	1	WP-22A-12	TORCH MACHINE 250A WATER COOLED 7-3/4L 12 FT CABLE
3	1	420607126-01	NOZZLE WIRE .032 DIA/#6-32
4	1	42150758-02	NOZZLE EXTENSION 1.703L
5	1	13150709-05	RETAINER WIRE NOZZLE L/H 4.15L
6	1	13020709-01	HOUSING WIRE GUIDE MANIPULATOR ASSY
7	1	42150722-03	BRACKET TORCH A & C
8	1	42150702-04	NUT THUMB
9	1	DAH2W	BEARING THRUST .19B .49D .06T
10	1	22020718-01	CLAMP TORCH
11	1	22020721-01	BOSS BREAKAWAY
12	2	SCS10-32-0,50NP	SCREW CAP SKT 10-32 1/2 L
13	1	221507611-01	BUSHING BREAK AWAY TORCH
14	1	42150510-05	SPRING DIE (D-1307)
15	2	24SW0010	WASHER SHLDR NYLON .20ID
16	1	W10NP-FL	WASHER FLAT #10
17	1	42150782-02	POINTER TORCH PIVOT
18	1	22020719-01	BRACKET TORCH SLIDE
19	1	31D51	WASHER PRCN .144ID .31D .06T
20	1	13150783-01	BRACKET TORCH .50
21	1	W02NP-FL	WASHER FL #2
22	6	SCS06-32-0,43NP	SCREW CAP SKT 6-32 7/16 L
23	1	SCS06-32-0,75NP	SCREW CAP SKT 6-32 3/4 L
24	3	SCS04-40-0,31NP	SCREW CAP SKT 4-40 5/16 L
25	1	SCS02-56-0,25NP	SCREW CAP SKT 2-56 1/4 L
26	1	SCS10-32-1,25NP	SCREW CAP SKT 10-32 1-14/L

To be used for reference only

MODEL 2
IPB 020708
MANUAL TORCH SINGLE WIRE ENTRY
6-1/2 IN LONG ASSEMBLY

Property of Arc Machines, Inc.

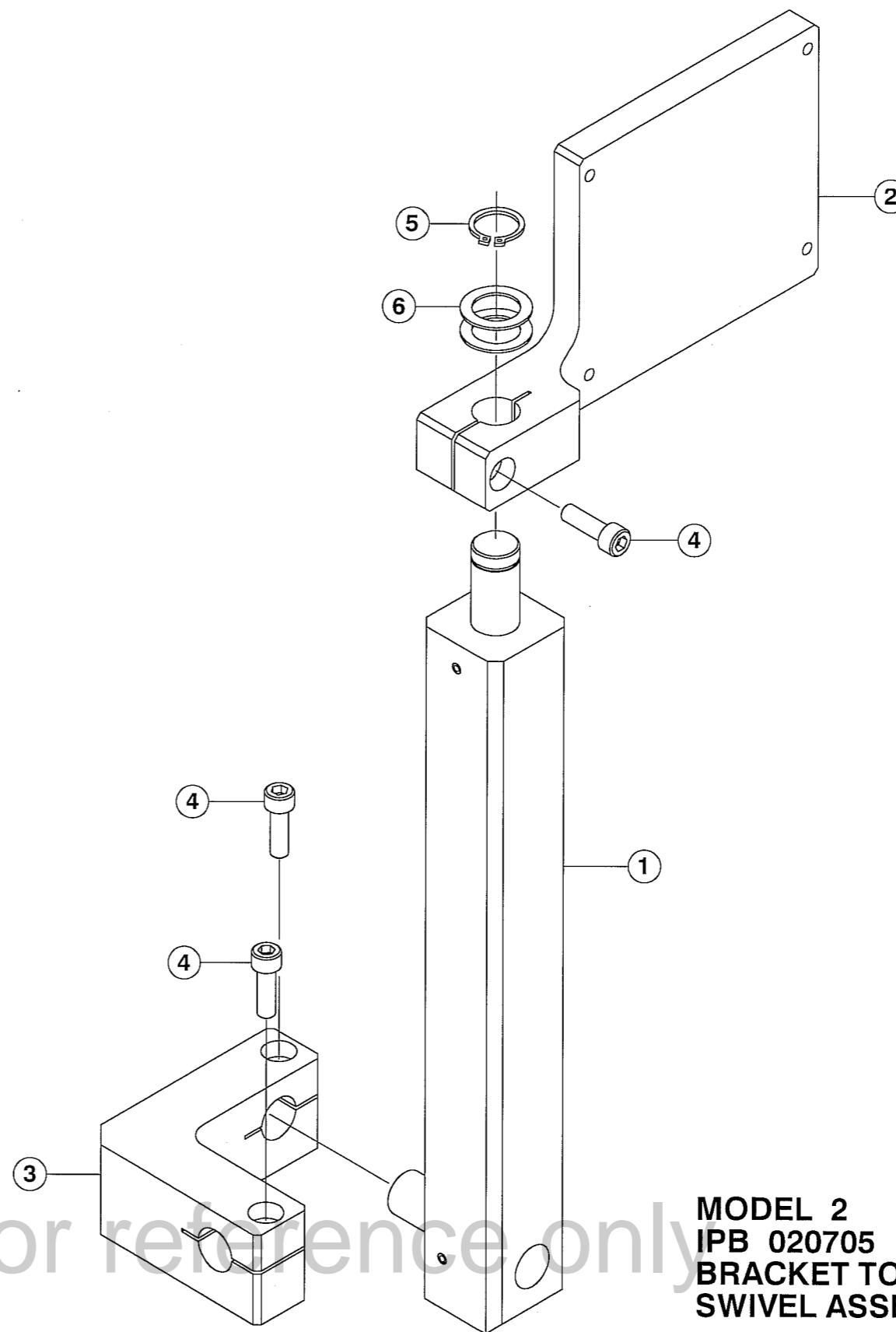
ISSUED: 25 FEB 2004
REVISED:

TO ORDER USE PART NUMBER.
PRICE, PART NUMBER AND DESCRIPTION
SUBJECT TO CHANGE WITHOUT NOTICE.

THIS DOCUMENT OR DRAWING AND THE INFORMATION CONTAINED HEREIN IS THE PROPERTY OF ARC MACHINES, INC., IS PROPRIETARY, IS SUBMITTED AND RECEIVED IN CONFIDENCE, SHALL BE USED ONLY FOR THE PURPOSE FOR WHICH IT IS SUBMITTED AND SHALL NOT BE COPIED IN WHOLE OR IN PART WITHOUT THE PRIOR EXPRESS WRITTEN PERMISSION OF ARC MACHINES, INC.



ITEM NO.	QTY.	PART NO.	DESCRIPTION
1	1	13020706-01	BRACKET SWIVEL ASSY
2	1	22020712-01	PLATE MOUNT TOP
3	1	22020714-01	BRACKET TILT
4	3	SCS10-32-0,62NP	SCREW CAP SKT 10-32 5/8 L
5	1	5100-50-H	RTNG RING BASIC EXT 1/2 SHAFT
6	2	2720	SPACER SHAFT .50ID .75D .031T



To be used for reference only

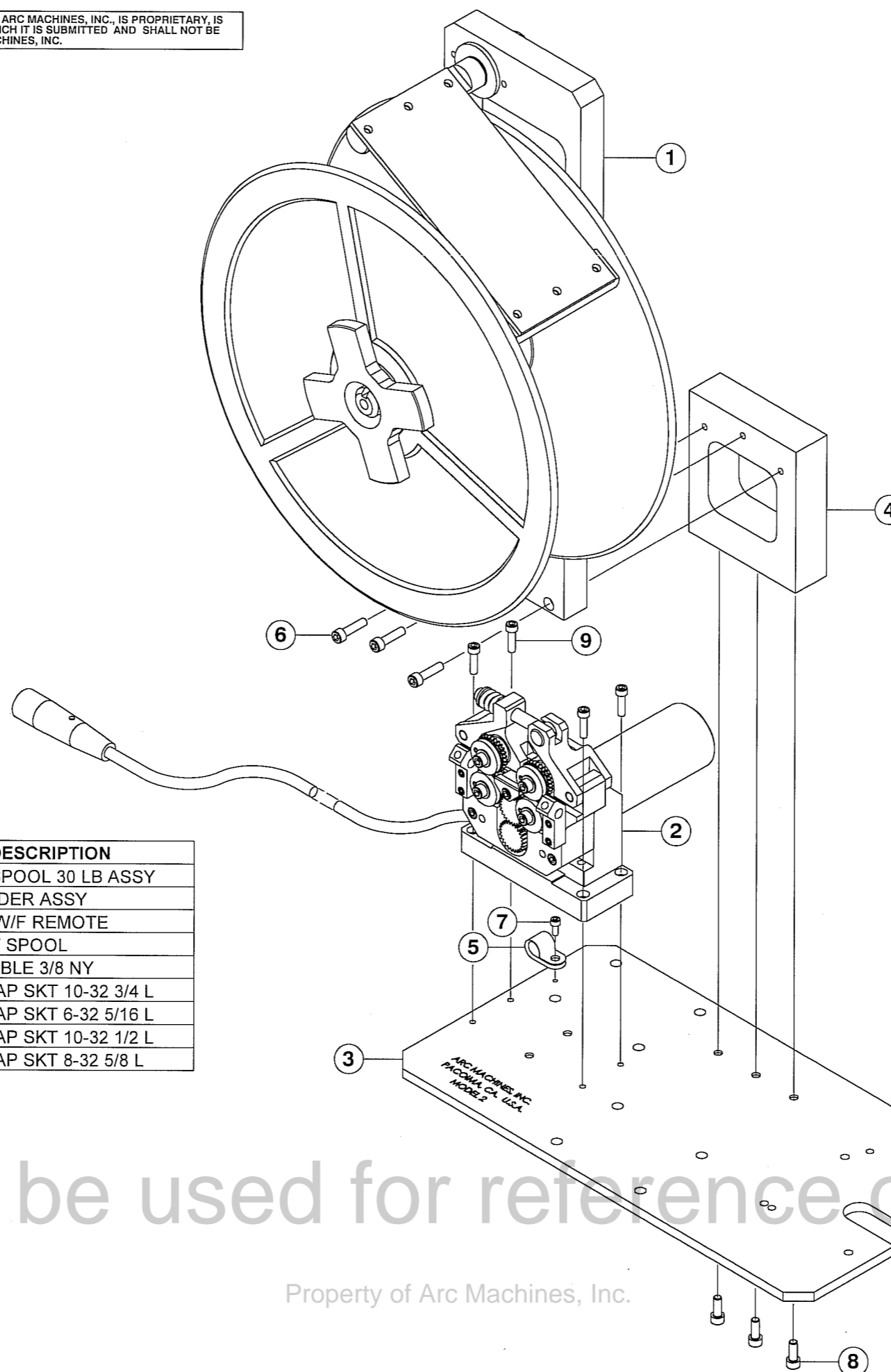
Property of Arc Machines, Inc.

MODEL 2
IPB 020705
BRACKET TORCH MTG
SWIVEL ASSEMBLY

ISSUED: 25 FEB 2004
REVISED:

TO ORDER USE PART NUMBER.
PRICE, PART NUMBER AND DESCRIPTION
SUBJECT TO CHANGE WITHOUT NOTICE.

THIS DOCUMENT OR DRAWING AND THE INFORMATION CONTAINED HEREIN IS THE PROPERTY OF ARC MACHINES, INC., IS PROPRIETARY, IS SUBMITTED AND RECEIVED IN CONFIDENCE, SHALL BE USED ONLY FOR THE PURPOSE FOR WHICH IT IS SUBMITTED AND SHALL NOT BE COPIED IN WHOLE OR IN PART WITHOUT THE PRIOR EXPRESS WRITTEN PERMISSION OF ARC MACHINES, INC.



ITEM NO.	QTY.	PART NO.	DESCRIPTION
1	1	13150407-01	HOLDER SPOOL 30 LB ASSY
2	1	13020500-01	WIRE FEEDER ASSY
3	1	42020500-01	CHASSIS W/F REMOTE
4	1	42020500-02	BLOK MNT SPOOL
5	1	HP-3/8	CLAMP CABLE 3/8 NY
6	3	SCS10-32-0,75NP	SCREW CAP SKT 10-32 3/4 L
7	1	SCS06-32-0,31NP	SCREW CAP SKT 6-32 5/16 L
8	3	SCS10-32-0,50NP	SCREW CAP SKT 10-32 1/2 L
9	4	SCS08-32-0,62NP	SCREW CAP SKT 8-32 5/8 L

To be used for reference only

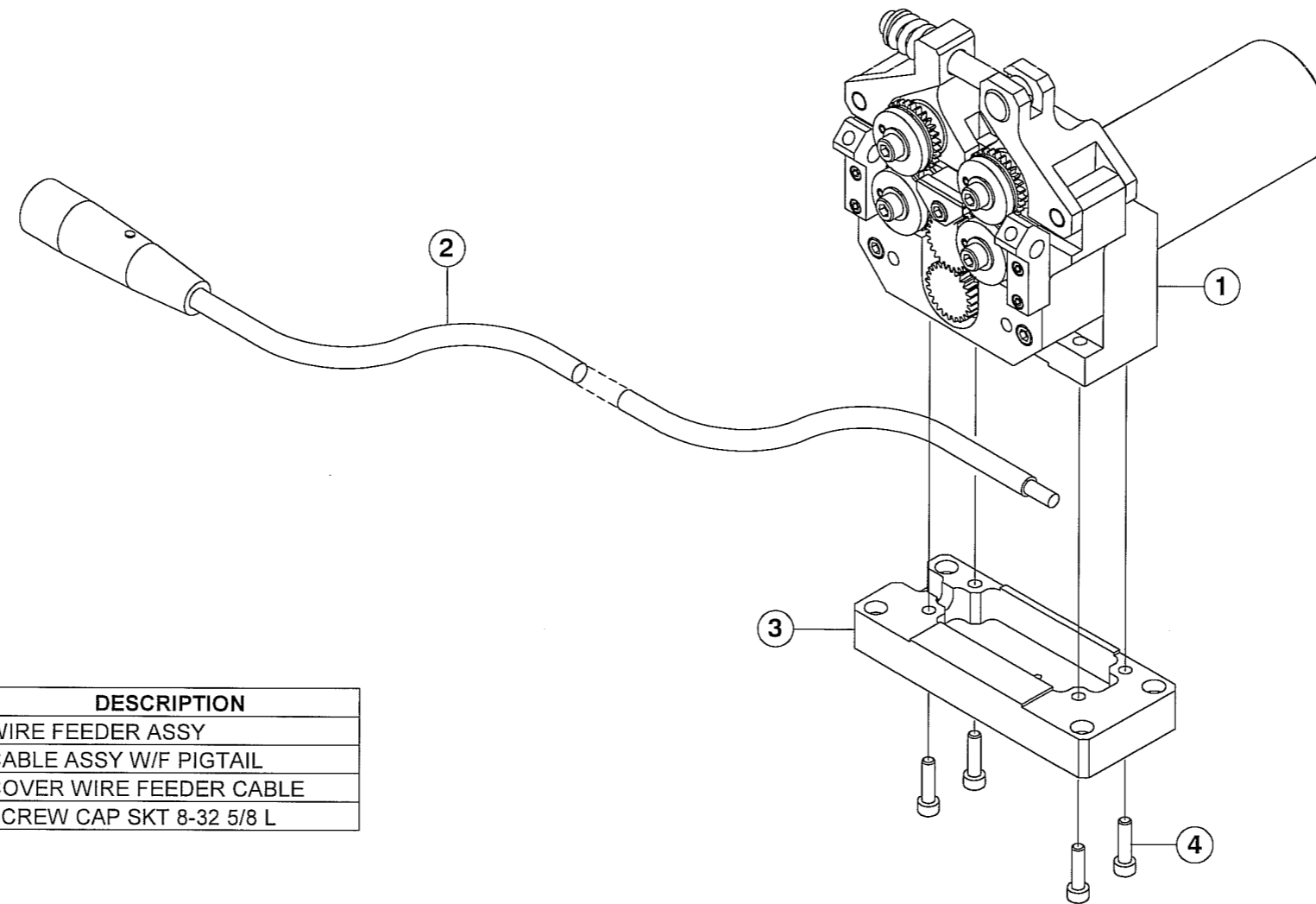
Property of Arc Machines, Inc.

MODEL 2
IPB 020400
SPOOL MOUNT AND WIRE FEEDER
ASSEMBLY

ISSUED: 3 MAR 2004
REVISED:

TO ORDER USE PART NUMBER.
PRICE, PART NUMBER AND DESCRIPTION
SUBJECT TO CHANGE WITHOUT NOTICE.

THIS DOCUMENT OR DRAWING AND THE INFORMATION CONTAINED HEREIN IS THE PROPERTY OF ARC MACHINES, INC., IS PROPRIETARY, IS SUBMITTED AND RECEIVED IN CONFIDENCE, SHALL BE USED ONLY FOR THE PURPOSE FOR WHICH IT IS SUBMITTED AND SHALL NOT BE COPIED IN WHOLE OR IN PART WITHOUT THE PRIOR EXPRESS WRITTEN PERMISSION OF ARC MACHINES, INC.



ITEM NO.	QTY.	PART NO.	DESCRIPTION
1	1	13940500-04	WIRE FEEDER ASSY
2	1	13150862-01	CABLE ASSY W/F PIGTAIL
3	1	42020501-01	COVER WIRE FEEDER CABLE
4	4	SCS08-32-0,62NP	SCREW CAP SKT 8-32 5/8 L

To be used for reference only

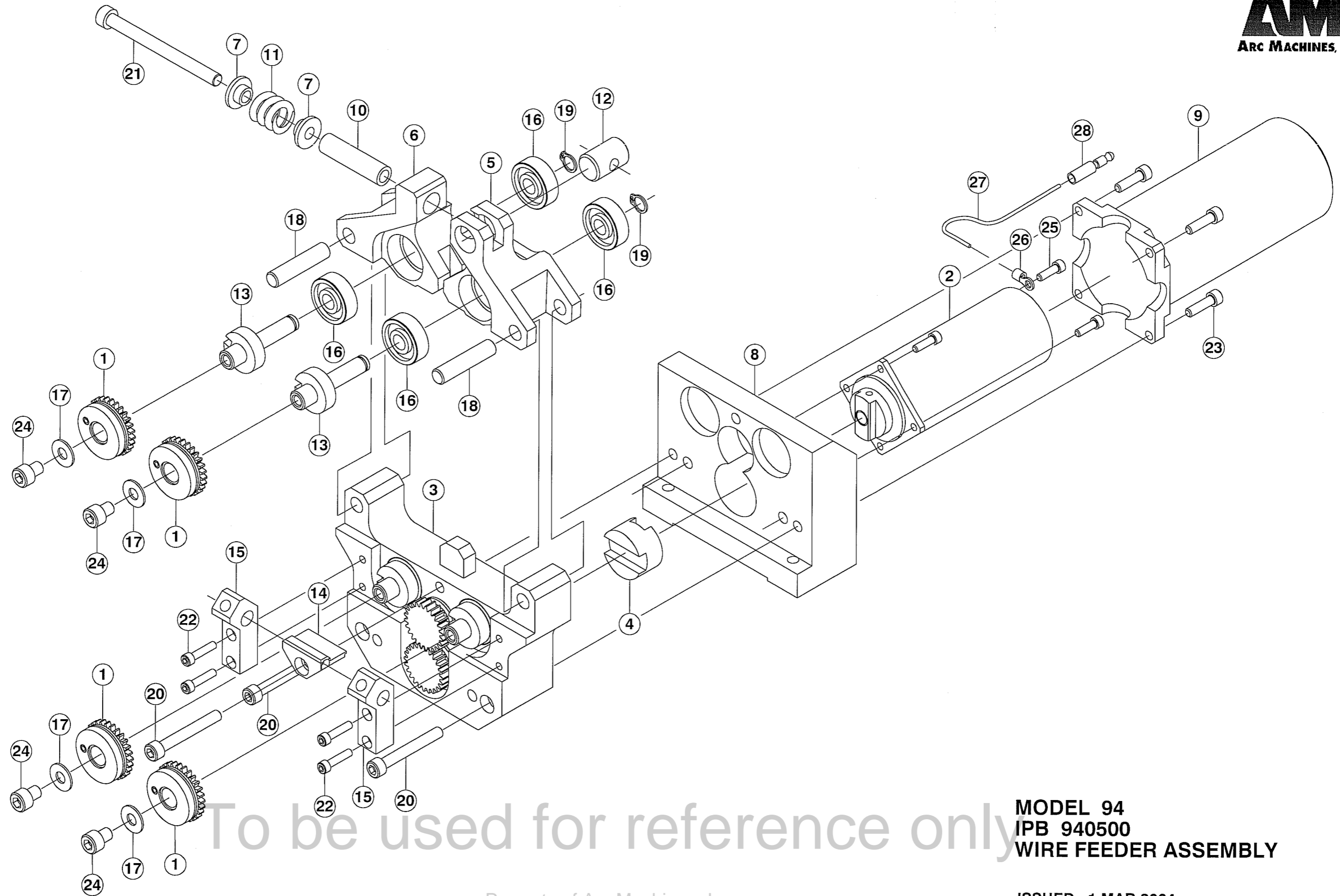
MODEL 2
IPB 020500
WIRE FEEDER ASSEMBLY

Property of Arc Machines, Inc.

ISSUED: 3 MAR 2004
REVISED:

TO ORDER USE PART NUMBER.
PRICE, PART NUMBER AND DESCRIPTION
SUBJECT TO CHANGE WITHOUT NOTICE.

THIS DOCUMENT OR DRAWING AND THE INFORMATION CONTAINED HEREIN IS THE PROPERTY OF ARC MACHINES, INC., IS PROPRIETARY, IS SUBMITTED AND RECEIVED IN CONFIDENCE, SHALL BE USED ONLY FOR THE PURPOSE FOR WHICH IT IS SUBMITTED AND SHALL NOT BE COPIED IN WHOLE OR IN PART WITHOUT THE PRIOR EXPRESS WRITTEN PERMISSION OF ARC MACHINES, INC.



To be used for reference only

MODEL 94
IPB 940500
WIRE FEEDER ASSEMBLY

Property of Arc Machines, Inc.

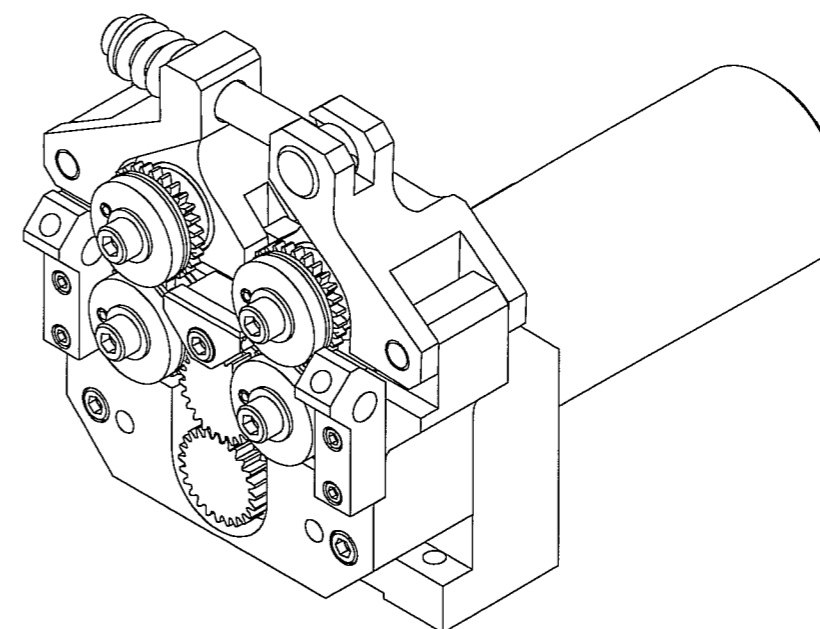
ISSUED: 1 MAR 2004
REVISED:

TO ORDER USE PART NUMBER.
PRICE, PART NUMBER AND DESCRIPTION
SUBJECT TO CHANGE WITHOUT NOTICE.

THIS DOCUMENT OR DRAWING AND THE INFORMATION CONTAINED HEREIN IS THE PROPERTY OF ARC MACHINES, INC., IS PROPRIETARY, IS SUBMITTED AND RECEIVED IN CONFIDENCE, SHALL BE USED ONLY FOR THE PURPOSE FOR WHICH IT IS SUBMITTED AND SHALL NOT BE COPIED IN WHOLE OR IN PART WITHOUT THE PRIOR EXPRESS WRITTEN PERMISSION OF ARC MACHINES, INC.



ITEM NO.	QTY.	PART NO.	DESCRIPTION
1	4	13060510-02	ROLLER WIRE FEED .035 WIRE
2	1	13020502-01	W/F MOTOR 1.25 DIA 112 RPM ASSY
3	1	13940501-01	GEAR WIRE FEEDER
4	1	42940503-01	COUPLING INSULATING
5	1	42940501-02	ADJUST ARM BARREL NUT
6	1	42940501-03	ADJUSTER ARM
7	2	42940501-08	WASHER SHOULDER
8	1	42940500-01	HOUSING WIRE FEEDER
9	1	42940501-01	COVER MOTOR
10	1	42940501-05	STOP ARM
11	1	42150510-05	SPRING DIE (D-1307)
12	1	42940501-04	NUT BARREL
13	2	42940501-07	SHAFT DRIVE
14	1	42940503-04	GUIDE WIRE
15	2	42940501-06	BRACKET GUIDE
16	4	SSRI-1214LLRA3P25LYI	BEARING BALL .25 .75 .281 DBL SHLD
17	4	5720-17-32	WASHER .19ID .44D .032T
18	2	D20D1250	PIN DOWEL HARD 1/4D 1-1/4L SST
19	2	5100-25-H	RTNG RING BASIC EXT 1/4 SHAFT
20	3	SCS08-32-1,25NP	SCREW CAP SKT 6-32 5/8 L
21	1	SCS10-32-2,25SS	SCREW CAP SKT 10-32 2-1/4L SST
22	4	SCS04-40-0,50NP	SCREW CAP SKT 4-40 1/2 L
23	4	SCS06-32-0,50NP	SCREW CAP SKT 6-32 1/2 L A-286
24	4	SCS10-32-0,25SS	SCREW CAP SKT 10-32 1/4 L SST
25	4	SCS04-40-0,37NP	SCREW CAP SKT 4-40 3/8 L
26	1	SN-5700	TERM RING 22-16 AWG #6
27	1	1429-1934	WIRE 22 AWG
28	1	N-7644	CONN BULLET MALE 22-18 AWG



To be used for reference on

MODEL 94
IPB 940500
WIRE FEEDER ASSEMBLY

TO ORDER USE PART NUMBER.
PRICE, PART NUMBER AND DESCRIPTION
SUBJECT TO CHANGE WITHOUT NOTICE.

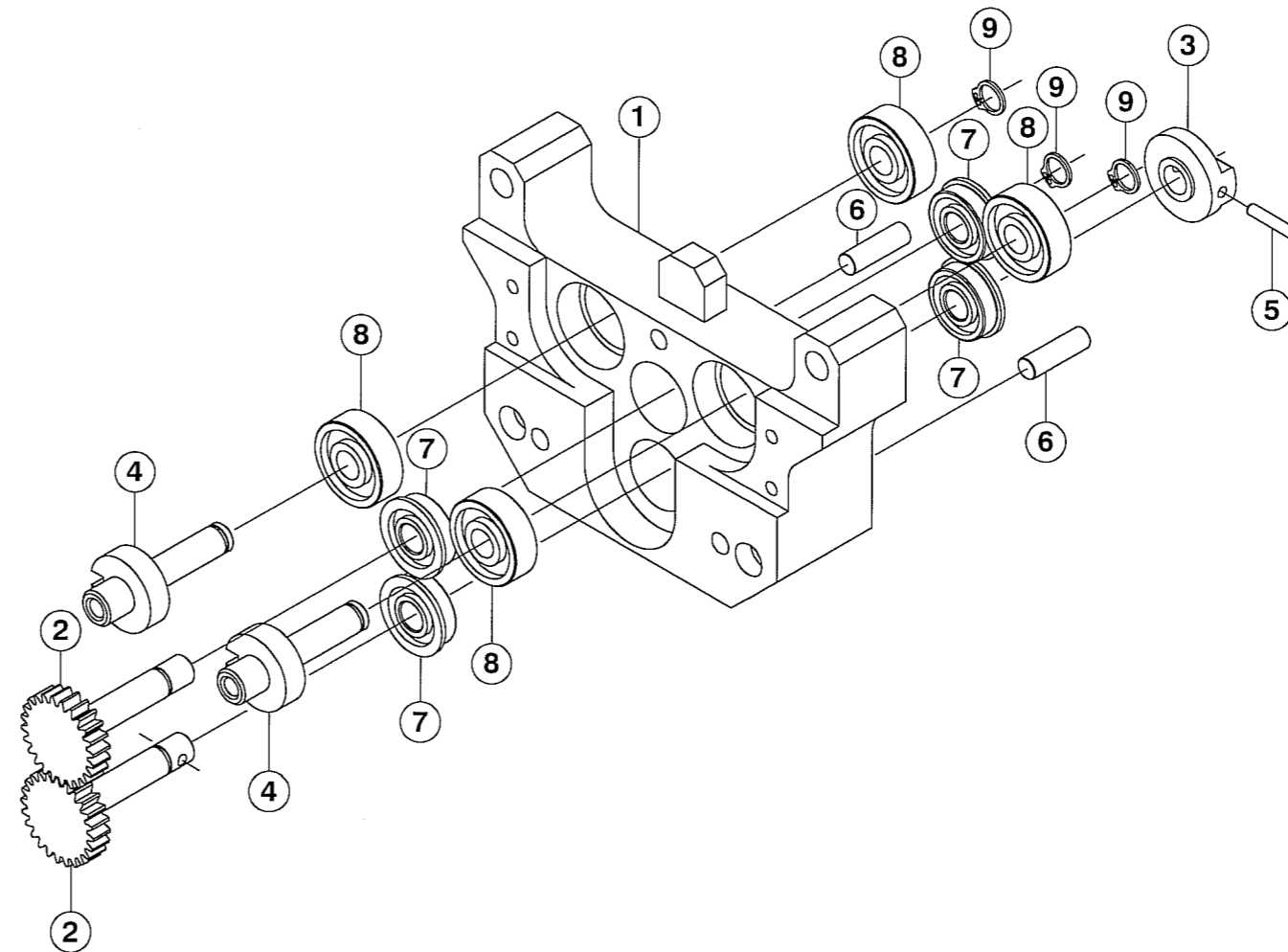
Property of Arc Machines, Inc.

ISSUED: 1 MAR 2004
REVISED:

THIS DOCUMENT OR DRAWING AND THE INFORMATION CONTAINED HEREIN IS THE PROPERTY OF ARC MACHINES, INC., IS PROPRIETARY, IS SUBMITTED AND RECEIVED IN CONFIDENCE, SHALL BE USED ONLY FOR THE PURPOSE FOR WHICH IT IS SUBMITTED AND SHALL NOT BE COPIED IN WHOLE OR IN PART WITHOUT THE PRIOR EXPRESS WRITTEN PERMISSION OF ARC MACHINES, INC.



ITEM NO.	QTY.	PART NO.	DESCRIPTION
1	1	42940502-01	HOUSING GEAR
2	2	42940503-03	GEAR PINION
3	1	42940503-02	HUB COUPLING
4	2	42940501-07	SHAFT DRIVE
5	1	PD09-0,50SS	PIN DOWEL HARD 3/32D 5/8L SST
6	2	D19D625	PIN DOWEL HARD 3/16D 5/8L SST
7	4	SSRF-4LLRA3P25LY15	BEARING BALL .25 .62 FLANGED
8	4	SSRI-1214LLRA3P25LY1	BEARING BALL .25 .75 .281 DBL SHLD
9	3	5100-25-H	RTNG RING BASIC EXT 1/4 SHAFT



To be used for reference only

MODEL 94
IPB 940501
GEAR WIRE FEEDER ASSEMBLY

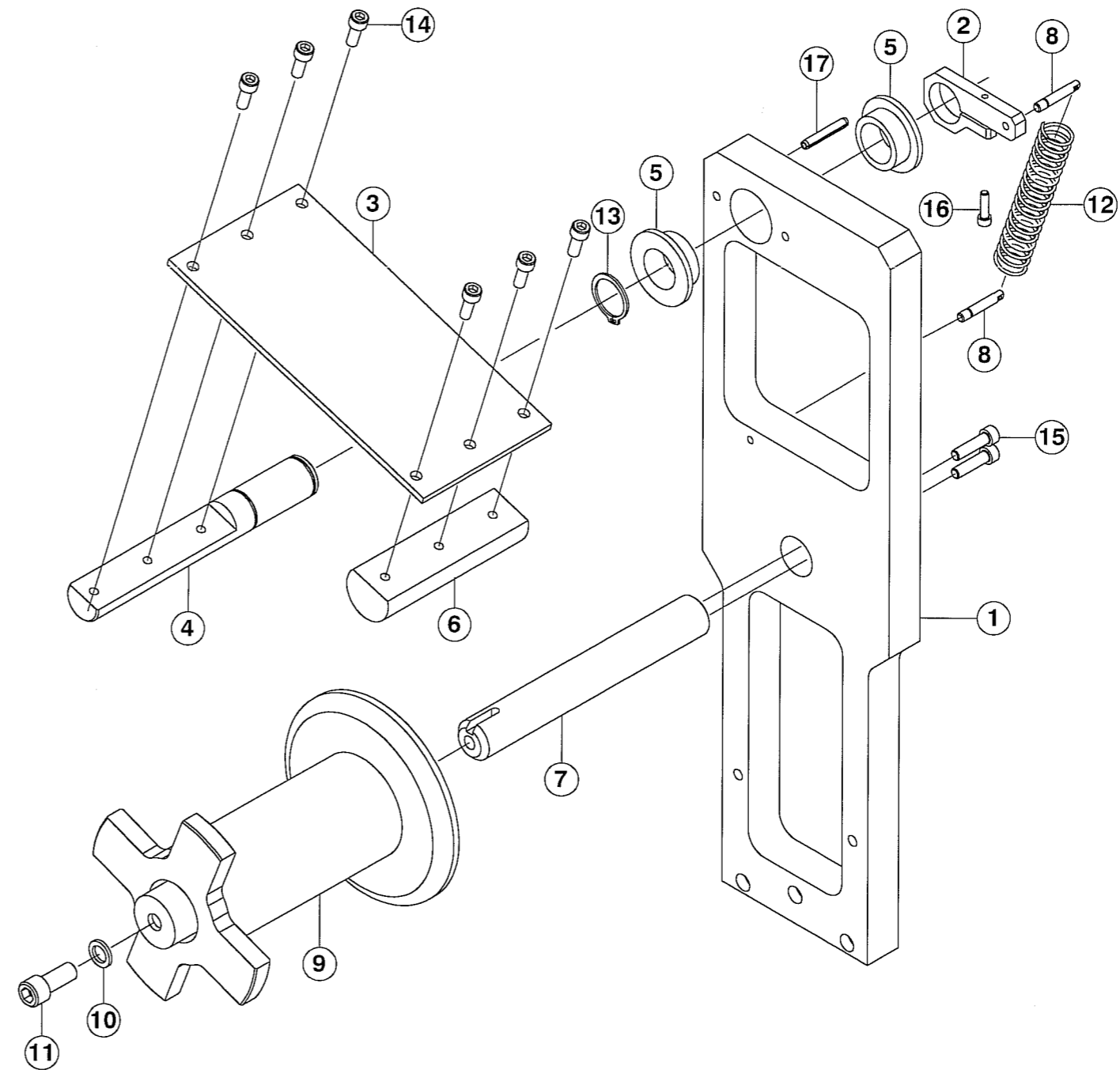
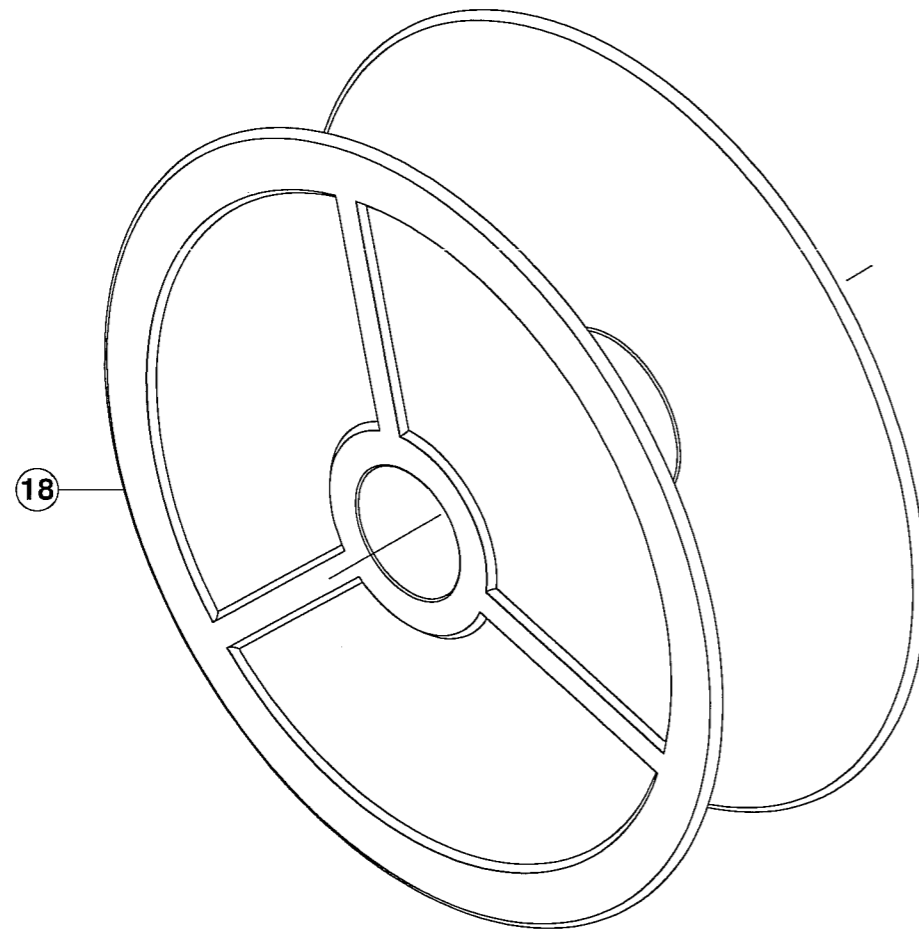
Property of Arc Machines, Inc.

ISSUED: 1 MAR 2004
REVISED:

TO ORDER USE PART NUMBER.
PRICE, PART NUMBER AND DESCRIPTION
SUBJECT TO CHANGE WITHOUT NOTICE.

PAGE 1 OF 1

THIS DOCUMENT OR DRAWING AND THE INFORMATION CONTAINED HEREIN IS THE PROPERTY OF ARC MACHINES, INC., IS PROPRIETARY, IS SUBMITTED AND RECEIVED IN CONFIDENCE, SHALL BE USED ONLY FOR THE PURPOSE FOR WHICH IT IS SUBMITTED AND SHALL NOT BE COPIED IN WHOLE OR IN PART WITHOUT THE PRIOR EXPRESS WRITTEN PERMISSION OF ARC MACHINES, INC.



ITEM NO.	QTY.	PART NO.	DESCRIPTION
1	1	42150413-01	HOLDER SPOOL 30 LB
2	1	42150414-01	CLAMP SPRING
3	1	42150414-02	PLATE WIRE RETAINER
4	1	42150414-04	PIVOT WIRE RETAINER
5	2	42150414-05	BUSHING PIVOT (FF-1011-2)
6	1	42150414-03	RETAINER WIRE
7	1	42150413-03	SHAFT HOLDER SPOOL 30 LB
8	2	CSA-60	ANCHOR SPR .070 HOLE 8-32 THD
9	1	374831-A	ADAPTER SPOOL & HARDWARE
10	1	W31SS-FL	WASHER FL 5/16 SIZE SST
11	1	SCS31-18-0,75NP	SCREW CAP SKT 5/16-18 3/4 L
12	1	S-589	SPRING EXT .56D 3.0L .054W
13	1	5100-75-H	RTNG RING BASIC EXT 3/4 SHAFT
14	6	SCS10-32-0,50NP	SCREW CAP SKT 10-32 1/2 L
15	2	SCS10-32-0,75NP	SCREW CAP SKT 10-32 3/4 L
16	1	SCS06-32-0,50NP	SCREW CAP SKT 6-32 1/2 L
17	1	PR15-1,00NP	PIN ROLL 5/32D X 1.00L
18	1	SPOOL 30LBS	SPOOL WIRE 30 LB (REF.)

To be used for reference only

**MODEL 2
IPB 150407
SPOOL HOLDER 30 LB ASSEMBLY**

Property of Arc Machines, Inc.

ISSUED: 8 MAR 2004
REVISED:

TO ORDER USE PART NUMBER,
PRICE, PART NUMBER AND DESCRIPTION
SUBJECT TO CHANGE WITHOUT NOTICE.