

To be used for reference only

**MODEL 79-6625**

**ILLUSTRATED PARTS BREAKDOWN MANUAL**

Property of Arc Machines, Inc.


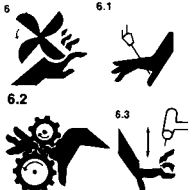

## MODEL 79 IPB Notice and Revision History

This document and the information contained herein is the property of Arc Machines, Inc. It is proprietary and submitted and received in confidence. It shall be used only for the purpose for which it is submitted and shall not be copied in whole or in part without the prior express written permission of Arc Machines, Inc. The information in this document has been carefully reviewed and is believed to be accurate. However, no responsibility is assumed for inaccuracies. Information and part numbers in this document are subject to change and Arc Machines, Inc. reserves the right to change required data without notice.



**WARNING**

The nature of the GTAW process creates some POTENTIAL HAZARDS. In accordance with international safety regulations the EXCLAMATION SYMBOL indicates that this equipment is considered HAZARDOUS. The LIGHTNING FLASH SYMBOL indicates that there are potential electrical hazards. The display of these symbols makes it the OPERATOR'S RESPONSIBILITY TO ENSURE THAT THEY HAVE BEEN MADE AWARE OF and shall observe the hazardous conditions.

	<b>WARNING:</b> AMI factory training is essential for all Maintenance Technicians who operate AMI equipment. Do not operate or service this equipment without proper AMI approved training.
	<b>WARNING:</b> Keep hands and fingers clear from moving parts such as fans, gears, rotors, Wire Feed, Weld Head Travel, i.e. Oscillation (OSC) and Arc Voltage Control (AVC) mechanisms  Weld Head AVC and Oscillator Slide Assemblies develop high forces and it is possible, by their nature of operation, to harm any object or body part that may get into these areas. <b>USE EXTREME CAUTION!</b>
	<b>Electrical Shock Hazard:</b> Always disconnect weld heads when servicing internal components or opening housing covers for access.

All rights reserved.  
Publication date: First Edition – June 5, 2007  
Copyright 2007 by Arc Machines, Inc.

REV	DCO #	CHANGE DESCRIPTION	DATE	BY	APR
A	4609	ADDED Item 19 to IPB 790523. Turned IPB 790523 into SolidWorks	29 NOV 2007	SO	LEC
B	6224	Updated IPB 790700, added IPBs 950752 and 950768	25 APR 2012	JS	DC

## TABLE OF CONTENTS

DATE EFFECTIVITY: 4 NOVEMBER 1997  
DATE REVISED: 25 APRIL 2012

PRODUCT MODEL: M79-6625  
MANUAL NO: 730098

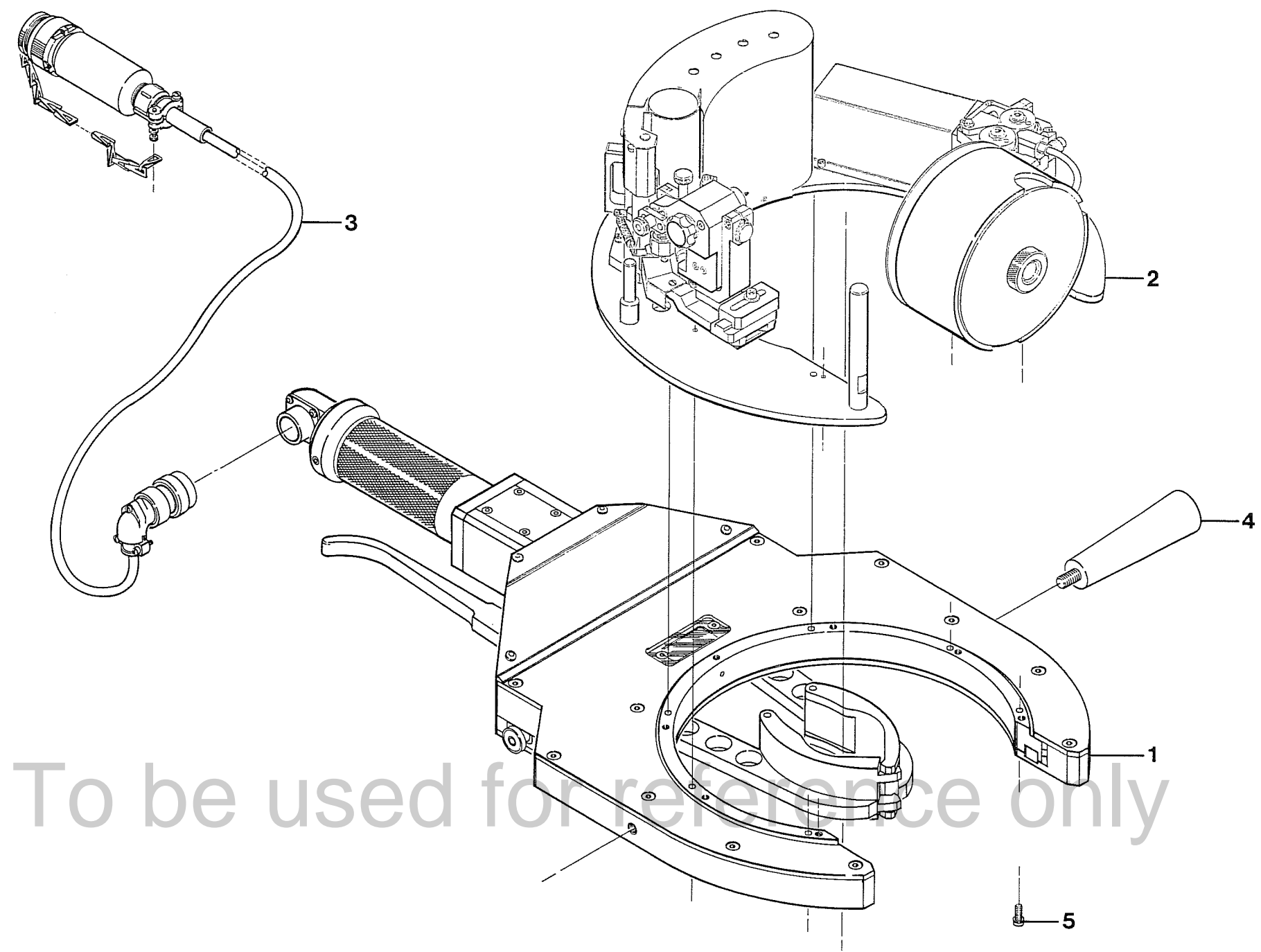
IPB NUMBER	DESCRIPTION
PAGE 2	IPB NOTICE AND REVISION HISTORY
790101	WELD HEAD ASSEMBLY
790130	DRIVE/CLAMP ASSEMBLY
790102	TORCH PLATE ASSEMBLY
790523	WIRE FEEDER ASSEMBLY
791311	DRIVE OSCILLATOR ASSEMBLY
790700	TORCH ASSEMBLY
950768	CAP COLLET ASSY EXTENDED ELECTRODE
950752	GAS LENS ASSY QUARTZ CUP
791212	AVC ASSEMBLY
790407	WIRE SPOOL HOLDER ASSEMBLY
950816	CABLE SERVICE ASSEMBLY
790805	CABLE CONTROL ASSEMBLY
950811	CABLE HANDLE ASSEMBLY

To be used for reference only

THIS DOCUMENT OR DRAWING AND THE INFORMATION CONTAINED HEREIN IS THE PROPERTY OF ARC MACHINES, INC., IS PROPRIETARY, IS SUBMITTED AND RECEIVED IN CONFIDENCE, SHALL BE USED ONLY FOR THE PURPOSE FOR WHICH IT IS SUBMITTED AND SHALL NOT BE COPIED IN WHOLE OR IN PART WITHOUT THE PRIOR EXPRESS WRITTEN PERMISSION OF ARC MACHINES, INC.



ISSUED: 27 OCT 1997  
REVISED:



To be used for reference only

Property of Arc Machines, Inc.

MODEL 79-6625  
IPB 790101  
WELD HEAD ASSEMBLY

BISHOP GRAPHICS, A/C, U/PRESS  
REORDER NO. 42228

IPB NUMBER: 790101  
DATE EFFECTIVE: 28 Oct 1997  
DATE REVISED: 28 Oct 1997

TO ORDER  
USE PART NUMBER  
DO NOT USE IPB  
ITEM NUMBER

ARC MACHINES, INC.  
PRODUCT MODEL: M79-6625  
DESCRIPTION: WELD HEAD ASSEMBLY  
MANUAL NUMBER: 730098  
NOTES:

IPB ITEM NUMBER	QTY	U/M	PART NUMBER	DESCRIPTION
1	1	EA	13790111-01	DRIVE/CLAMP ASSY M79-6625
2	1	EA	13790102-01	PLATE A TORCH ASSY
3	1	EA	13950800-02	CABLE M95-3500 HANDLE 10 FT
4	1	EA	13900105-01	HANDLE
5	1	EA	SCS04-40-0.62NP	SCREW CAP SKT 4-40 5/8 L

To be used for reference only

PRICE, PART NUMBER AND  
DESCRIPTION SUBJECT TO  
CHANGE WITHOUT NOTICE

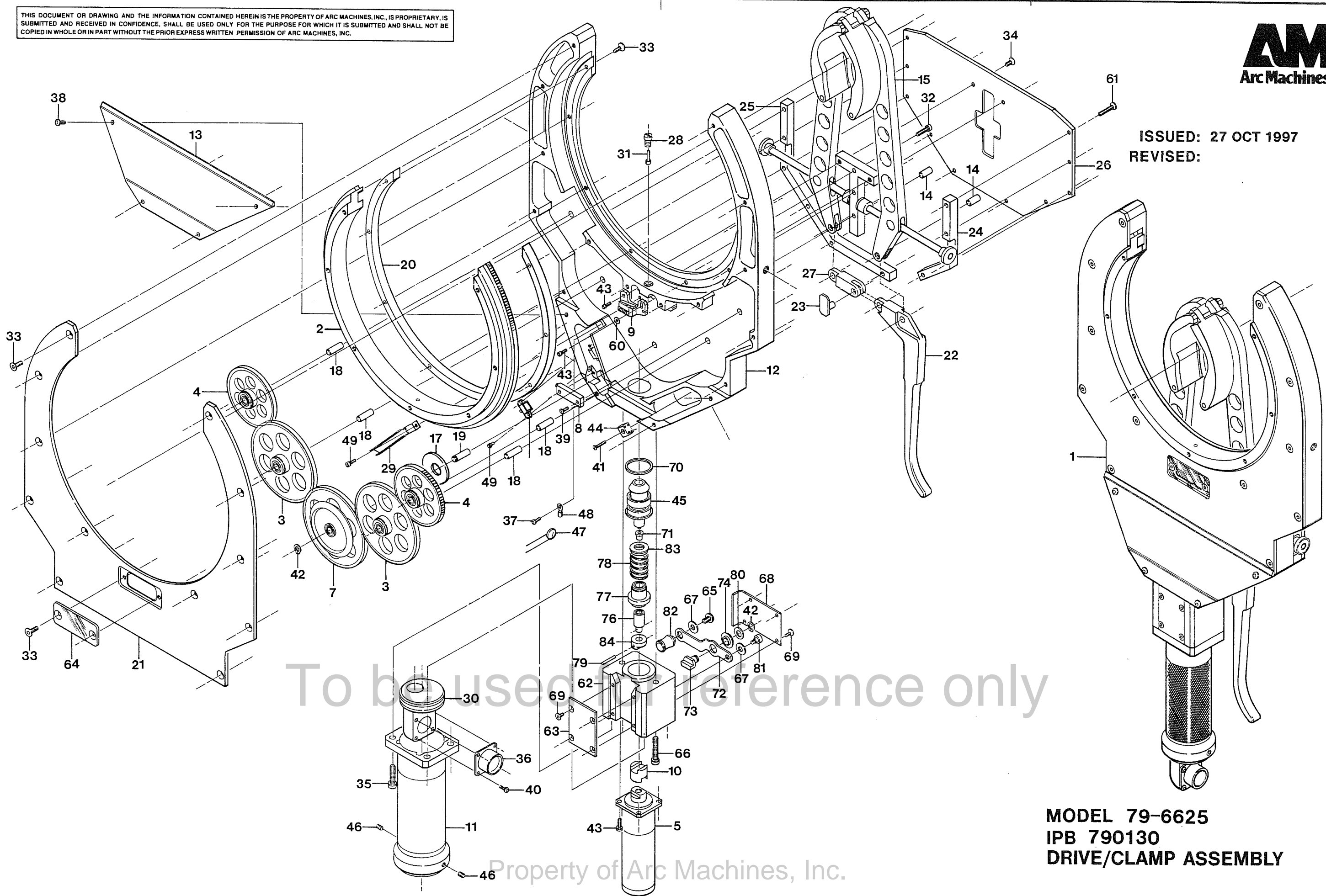
Page 2 of 2

Property of Arc Machines, Inc.

THIS DOCUMENT OR DRAWING AND THE INFORMATION CONTAINED HEREIN IS THE PROPERTY OF ARC MACHINES, INC. IS PROPRIETARY. IS SUBMITTED AND RECEIVED IN CONFIDENCE. SHALL BE USED ONLY FOR THE PURPOSE FOR WHICH IT IS SUBMITTED AND SHALL NOT BE COPIED IN WHOLE OR IN PART WITHOUT THE PRIOR EXPRESS WRITTEN PERMISSION OF ARC MACHINES, INC.



ISSUED: 27 OCT 1997  
REVISED:



MODEL 79-6625  
IPB 790130  
DRIVE/CLAMP ASSEMBLY

IPB NUMBER: 790130  
 DATE EFFECTIVE: 28 Oct 1997  
 DATE REVISED: 28 Oct 1997

TO ORDER  
 USE PART NUMBER  
 DO NOT USE IPB  
 ITEM NUMBER

ARC MACHINES, INC.  
 PRODUCT MODEL: M79-6625  
 DESCRIPTION: DRIVE/CLAMP ASSEMBLY  
 MANUAL NUMBER: 730098  
 NOTES:

IPB ITEM NUMBER	QTY	U/M	PART NUMBER	DESCRIPTION
1	1	EA	13790111-01	DRIVE/CLAMP ASSY M79-6625
2	1	EA	13950717-01	ROTOR ASSY M95-6625
3	2	EA	13950612-01	GEAR IDLER ASSY M95-6625
4	2	EA	13950612-02	GEAR DRIVE ASSY M95-6625
5	1	EA	13950613-01	MOTOR ASSY DRIVE M95-6625
6	0	-	-	-----
7	1	EA	13950610-01	GEAR BEVEL ASSY M95-6625
8	1	EA	13950102-01	POT TRIM M95 CALIBRATION
9	1	EA	13950132-01	PLATE ASSY LIM SW MTG M95-6625
10	1	EA	42950606-04	COUPLING INSULATING M95-3500
11	1	EA	42950100-01	COVER MOTOR DRIVE
12	1	EA	42950133-01	HOUSING MAIN
13	1	EA	42950140-02	COVER COMPONENT ELEC
14	2	EA	42950102-02	SHAFT PIVOT CLAMP
15	1	EA	13950902-01	CLAMP JAW ASSY M95-6625
16	0	EA	-	-----
17	1	EA	42950139-04	THRUST WASHER
18	4	EA	42950602-02	SHAFT GEAR IDLER
19	1	EA	42950602-03	SHAFT GEAR BEVEL
20	1	EA	42950724-01	GUIDE RING ROTOR
21	1	EA	42950722-01	PLATE ROTOR RETAINING
22	1	EA	42950912-01	HANDLE CLAMP
23	1	EA	42950904-04	SLIDE PIVOT SHAFT
24	1	EA	42950911-01	SPACER COVER LH
25	1	EA	42950911-02	SPACER COVER RH
26	1	EA	42950910-01	RETAINER PLATE CLAMP ARMS
27	1	EA	42950911-03	LINK CLAMP ARM
28	1	EA	42090704-01	BUSHING PUSH ROD
29	1	EA	42950139-02	CHANNEL WIRE
30	1	EA	42950136-02	PLATE CONNECTOR MTG
31	1	EA	42090704-02	PUSH ROD LIMIT SW
32	3	EA	SCS08-32-0.43NP	SCREW CAP SKT 8-32 7/16 L
33	20	EA	SFS06-32-0.31NP	SCREW FLH SKT 6-32 5/16 L
34	2	EA	SFS06-32-0.37NP	SCREW FLH SKT 6-32 3/8 L
35	6	EA	SCS10-32-0.75NP	SCREW CAP SKT 10-32 3/4 L
36	1	EA	MS3112E12-10P	CONN RCPT BOX MTG SIZE 12 10P
37	3	EA	SIL04-40-0.25NP	SCREW BDH SLT 4-40 1/4 L

To be used for reference only

PRICE, PART NUMBER AND  
 DESCRIPTION SUBJECT TO  
 CHANGE WITHOUT NOTICE

IPB NUMBER: 790130

TO ORDER  
USE PART NUMBER

ARC MACHINES, INC.

DATE EFFECTIVE: 28 Oct 1997  
DATE REVISED: 28 Oct 1997

DO NOT USE IPB  
ITEM NUMBER

PRODUCT MODEL: M79-6625  
DESCRIPTION: DRIVE/CLAMP ASSEMBLY  
MANUAL NUMBER: 730098  
NOTES:

IPB ITEM NUMBER	QTY	U/M	PART NUMBER	DESCRIPTION
38	4	EA	SIL06-32-0.25NP	SCREW BDH SLT 6-32 1/4 L
39	2	EA	SIL02-56-0.31NP	SCREW BDH SLT 2-56 1/4 L
40	4	EA	SCS04-40-0.37NP	SCREW CAP SKT 4-40 3/8 L
41	2	EA	SFL02-56-0.62NP	SCREW FLH SLT 2-56 5/8 L
42	2	EA	5100-25-H	RTNG RING BASIC EXT 1/4 SHAFT
43	6	EA	SCS04-40-0.31NP	SCREW CAP SKT 4-40 5/16 L
44	1	EA	JF2P2SCD	CONN 4 PIN PLUG MINIATURE
45	1	EA	13950614-02	PINION/BRG CLUTCH M95-6625
46	2	EA	SSS10-32-25NPCU	SCREW SET SKT 10-32 1/4 CUPT
47	1	EA	V120ZA1	VARISTOR
48	1	EA	B-3198	TERM WALDOM
49	2	EA	SCS02-56-0.12NP	SCREW CAP SKT 2-56 1/8 L
50	0	EA	-	-----
51	0	EA	-	-----
59	1	EA	SLS-120	SWITCH MINI SPDT SLIDE
60	2	EA	W04ZP-FL	WASHER FLAT #4
61	6	EA	SFS06-32-0.75NP	SCREW FLH SKT 6-32 3/4 L
62	1	EA	42950607-01	HOUSING DRIVE CLUTCH
63	1	EA	42950608-02	COVER WIRING CLUTCH HSG
64	1	EA	42950139-03	WINDOW LIMIT SWITCH
65	1	EA	SBS10-32-0.25NP	SCREW BTH SKT 10-32 1/4 L
66	2	EA	SCS10-32-1.00NP	SCREW CAP SKT 10-32 1.00 L
67	2	EA	W10ZP-FL	WASHER FL #10
68	1	EA	42950608-01	COVER ARM CLUTCH DRIVE
69	8	EA	SFS04-40-0.25NP	SCREW FLH SKT 4-40 1/4 L
70	1	EA	42950609-04	SPACER PINION .87ID 1.03D .063
71	1	EA	42950608-05	BEARING THRUST .12ID .19OD .25
72	1	EA	42950608-08	ARM CLUTCH
73	1	EA	42950608-07	ACTUATOR CLUTCH
74	1	EA	42950608-06	BEARING THRUST FLG MODEL 95
75	0	EA	-	-----
76	1	EA	42950609-02	SPLINE EXTERNAL SLIDING
77	1	EA	42950609-03	SPLINE INTERNAL SLIDING
78	1	EA	Z-41	SPRING CPRSN .69D 1.25L .054W
79	1	EA	PD06-0.50SS	PIN DOWEL 1/16D 1/2L SST
80	1	EA	5710-60-30	WASHER FL .25ID .50D .030T SST
81	1	EA	44D15	SCREW SHLDR 8-32 3/16D .12L

To be used for reference only

PRICE, PART NUMBER AND  
DESCRIPTION SUBJECT TO  
CHANGE WITHOUT NOTICE



IPB NUMBER: 790130

TO ORDER  
USE PART NUMBER  
DO NOT USE IPB  
ITEM NUMBER

ARC MACHINES, INC.

DATE EFFECTIVE: 28 Oct 1997  
DATE REVISED: 28 Oct 1997

PRODUCT MODEL: M79-6625  
DESCRIPTION: DRIVE/CLAMP ASSEMBLY  
MANUAL NUMBER: 730098  
NOTES:

IPB ITEM NUMBER	QTY	U/M	PART NUMBER	DESCRIPTION
82	1	EA	42950609-05	KNOB ARM CLUTCH
83	1	EA	42950608-03	SPACER SPRING CLUTCH
84	1	EA	42950609-07	COUPLING DRIVE

To be used for reference only

PRICE, PART NUMBER AND  
DESCRIPTION SUBJECT TO  
CHANGE WITHOUT NOTICE

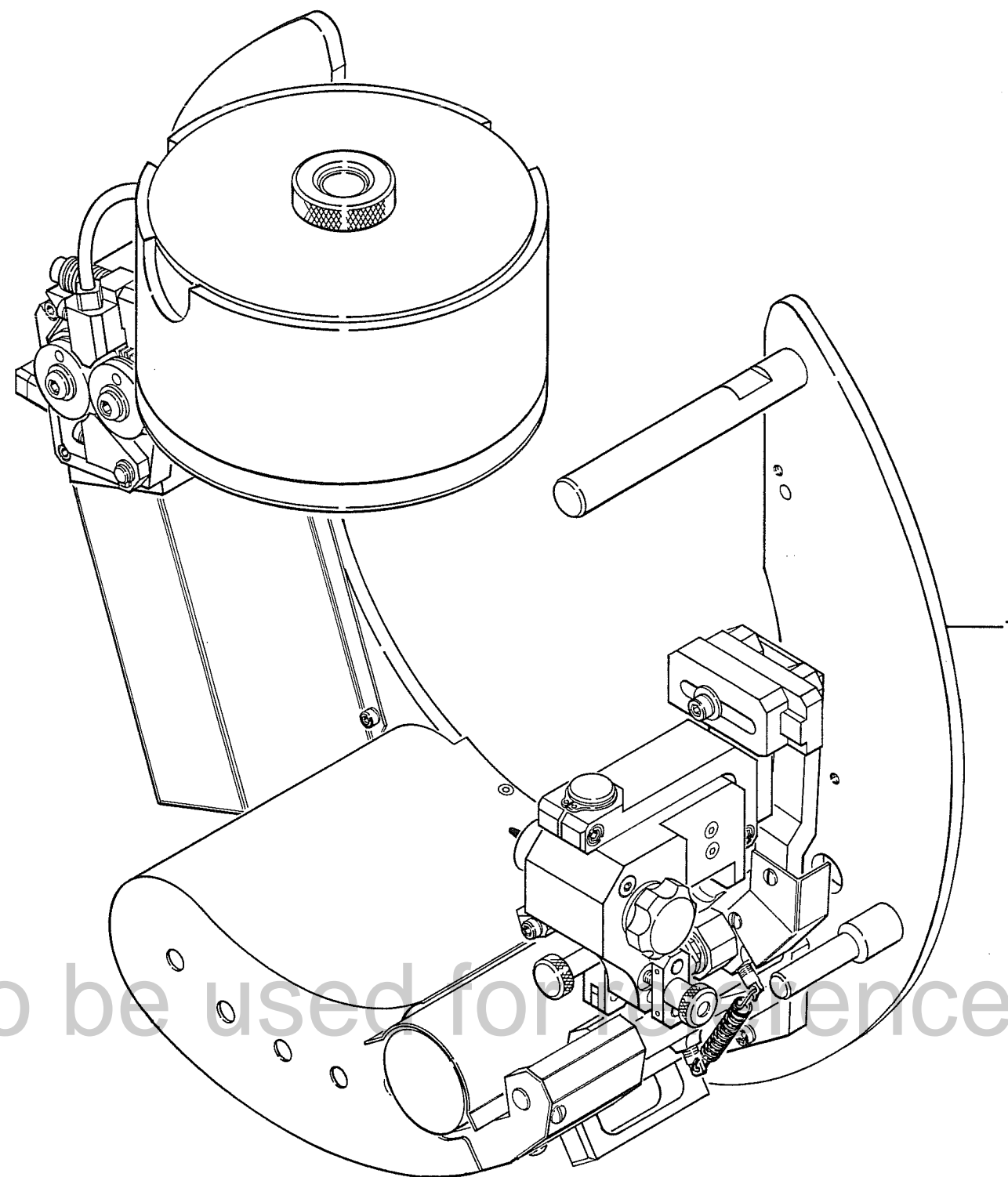
Page 4 of 4

Property of Arc Machines, Inc.

THIS DOCUMENT OR DRAWING AND THE INFORMATION CONTAINED HEREIN IS THE PROPERTY OF ARC MACHINES, INC. IS PROPRIETARY, IS SUBMITTED AND RECEIVED IN CONFIDENCE, SHALL BE USED ONLY FOR THE PURPOSE FOR WHICH IT IS SUBMITTED AND SHALL NOT BE COPIED IN WHOLE OR IN PART WITHOUT THE PRIOR EXPRESS WRITTEN PERMISSION OF ARC MACHINES, INC.



ISSUED: 27 OCT 1997  
REVISED:



To be used for reference only

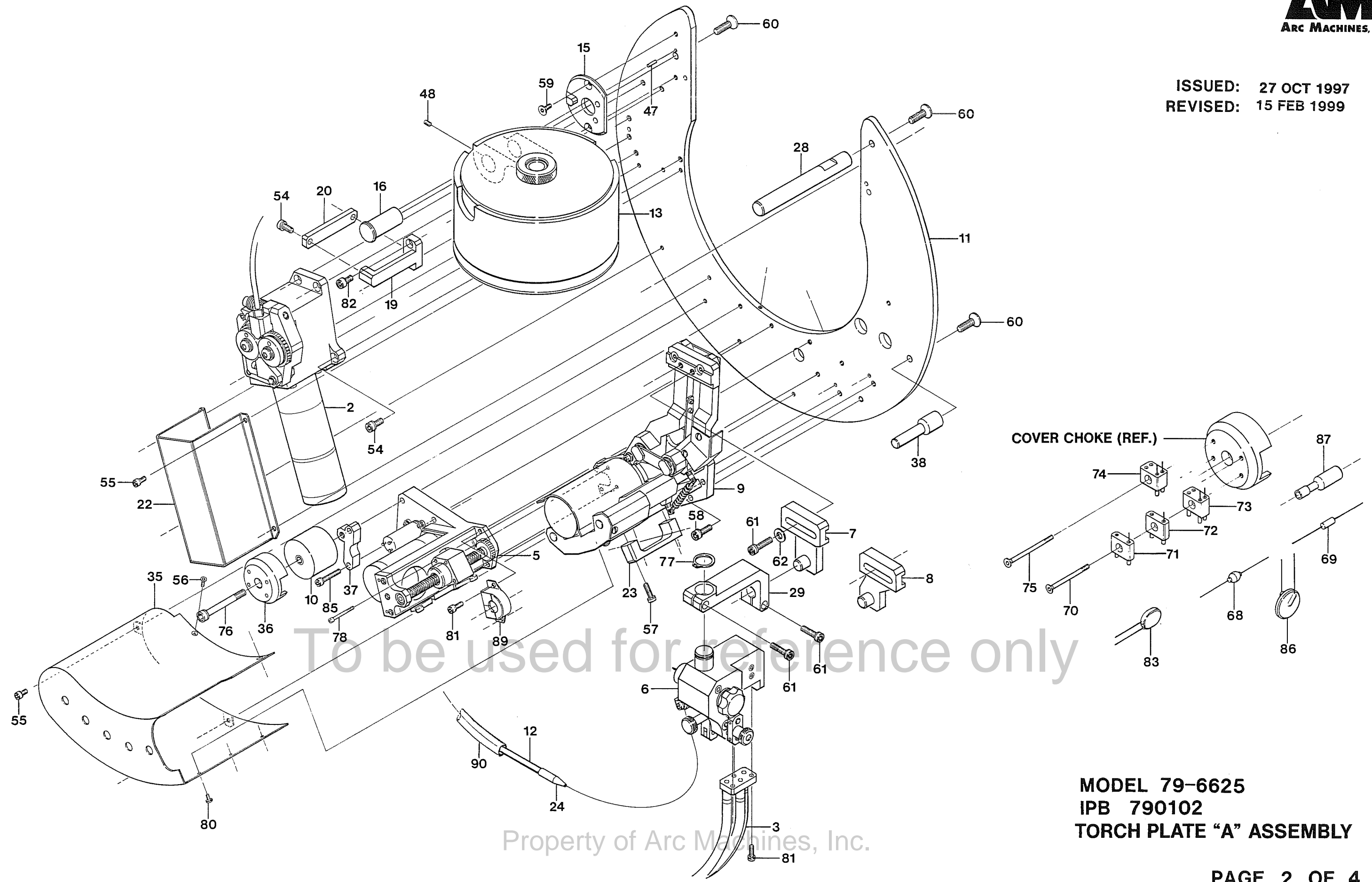
Property of Arc Machines, Inc.

MODEL 79-6625  
IPB 790102  
TORCH PLATE "A" ASSEMBLY

THIS DOCUMENT OR DRAWING AND THE INFORMATION CONTAINED HEREIN IS THE PROPERTY OF ARC MACHINES, INC., IS PROPRIETARY, IS SUBMITTED AND RECEIVED IN CONFIDENCE, SHALL BE USED ONLY FOR THE PURPOSE FOR WHICH IT IS SUBMITTED AND SHALL NOT BE COPIED IN WHOLE OR IN PART WITHOUT THE PRIOR EXPRESS WRITTEN PERMISSION OF ARC MACHINES, INC.



ISSUED: 27 OCT 1997  
REVISED: 15 FEB 1999



MODEL 79-6625  
IPB 790102  
TORCH PLATE "A" ASSEMBLY

Property of Arc Machines, Inc.

IPB NUMBER: 790102

TO ORDER

ARC MACHINES, INC.

DATE EFFECTIVE: 28 Oct 1997

USE PART NUMBER

PRODUCT MODEL: M79-6625

DATE REVISED: 15 Feb 1999

DO NOT USE IPB

DESCRIPTION: TORCH PLATE "A" ASSEMBLY

ITEM NUMBER

MANUAL NUMBER: 730098

NOTES:

IPB ITEM NUMBER	QTY	U/M	PART NUMBER	DESCRIPTION	
1	1	EA	13790102-01	PLATE A TORCH ASSY	
2	1	EA	13950523-01	WIRE FEEDER ASSY M79-6625	
3	1	EA	13950816-01	CABLE SERVICE M95-35 AVC	
4	1	EA	13950819-01	CABLE ADPTR Y CONN M-95-35 AVC	
5	1	EA	13951311-01	DRIVE ASSY OSC M79-6625 PL A	
6	1	EA	13790700-01	TORCH M79-6625 ASSY	
7	1	EA	13951215-01	PLATE TORCH SLIDE LARGE ASSY	
8	1	EA	13951215-02	PLATE TORCH SLIDE SMALL ASSY	
9	1	EA	13951212-01	AVC ASSY M79-6625 PLATE A	
10	1	EA	135635-01	CHOKE RF ASSY M94 1.2 IN DIA	1.2IN DIA W/CAP/VAR
11	1	EA	42790101-01	TURNTABLE TORCH PLATE	
12	1	EA	13150508-04	WIRE GUIDE SHIELDED 18.5 L	
13	1	EA	13950407-01	WIRE SPOOL HOLDER 4 IN 79-6625	
15	1	EA	42950409-03	WASHER LOCATING CANISTER	
16	1	EA	42950407-04	SHAFT SPOOL MTG	
19	1	EA	42950169-01	BRACKET CABLE	
20	1	EA	42950169-02	CLAMP CABLE	
22	1	EA	42950533-01	COVER MOTOR WIRE	
23	1	EA	42951210-01	CLAMP CABLE TOP	
24	1	EA	420607126-01	NOZZLE WIRE .032 DIA/#6-32	
28	1	EA	42950166-01	SUPPORT CABLE	
29	1	EA	42951205-01	BRACKET IN/OUT ADJUST	
35	1	EA	42950170-01	COVER AVC/OSC M79-6625	
36	1	EA	42951315-01	COVER CHOKE	
37	1	EA	42950169-03	PLATE MTG CHOKE	
38	1	EA	42950169-04	SUPPORT CABLE M95-6625	
47	1	EA	PR06-0.25SS	PIN ROLL 1/16D 1/4IN	
48	2	EA	DCS53	SCREW SET 4-40 1/4L SILVER TIP	
53	1	EA	5710-295-30	FLT WASH. 3/4OD X 1/2ID X 1/16	
54	6	EA	SCS06-32-0.31NP	SCREW CAP SKT 6-32 5/16 L	
55	6	EA	SCS04-40-0.18NP	SCREW CAP SKT 4-40 3/16 L	
56	2	EA	SFS02-56-0.25NP	SCREW FLH SKT 2-56 1/4 L	
57	2	EA	SCS04-40-0.50NP	SCREW CAP SKT 4-40 1/2 L	
58	3	EA	SCS06-32-0.43NP	SCREW CAP SKT 6-32 7/16 L	
59	2	EA	SFS04-40-0.25NP	SCREW FLH SKT 4-40 1/4 L	
60	3	EA	SFS10-32-0.50NP	SCREW FLH SKT 10-32 1/2 L	
61	3	EA	SCS06-32-0.62NP	SCREW CAP SKT 6-32 5/8 L	

PRICE, PART NUMBER AND  
DESCRIPTION SUBJECT TO  
CHANGE WITHOUT NOTICE

Page 3 of 4

Property of Arc Machines, Inc.

IPB NUMBER: 790102

TO ORDER

ARC MACHINES, INC.

DATE EFFECTIVE: 28 Oct 1997

USE PART NUMBER

PRODUCT MODEL: M79-6625

DATE REVISED: 15 Feb 1999

DO NOT USE IPB

DESCRIPTION: TORCH PLATE "A" ASSEMBLY

ITEM NUMBER

MANUAL NUMBER: 730098

NOTES:

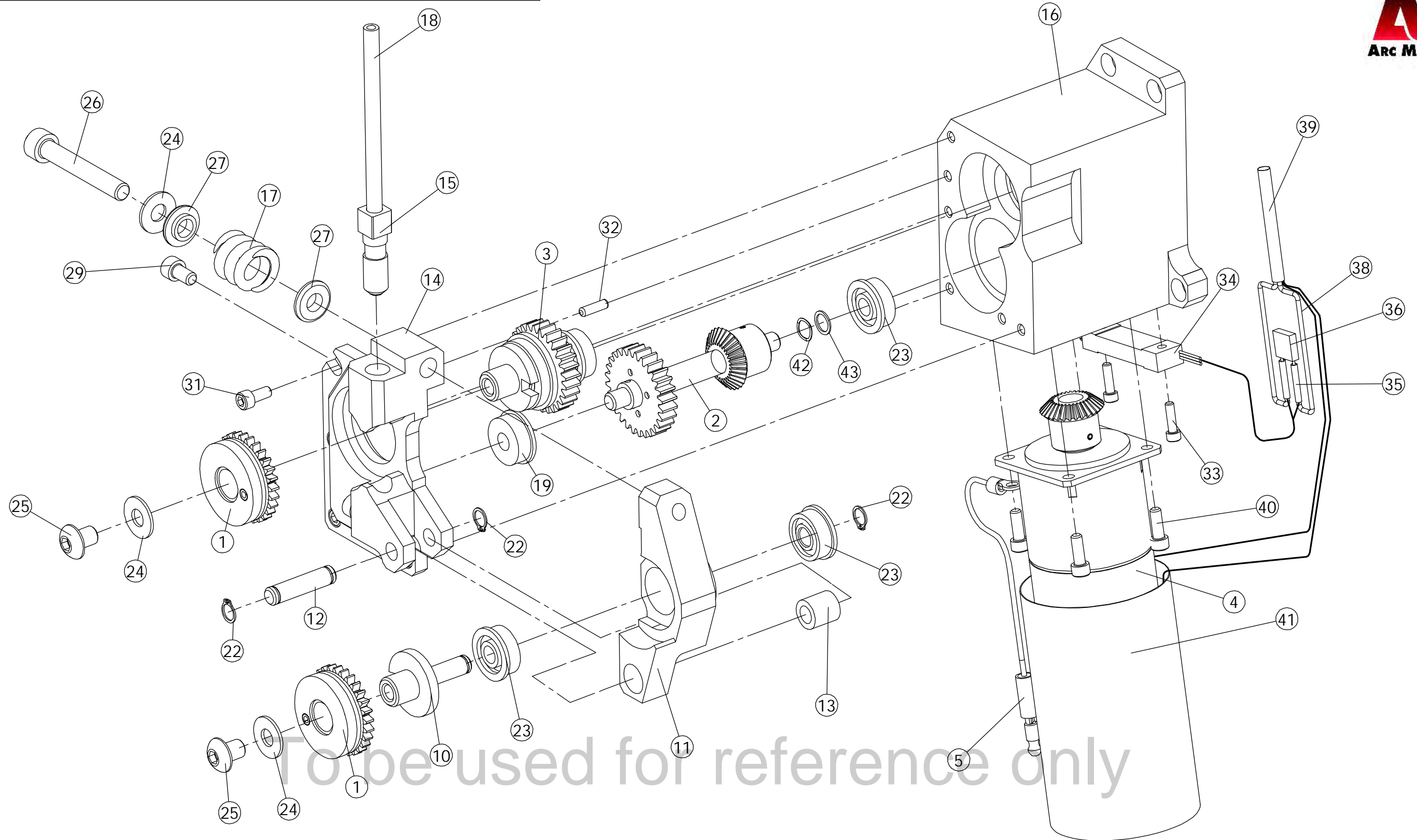
IPB ITEM NUMBER	QTY	U/M	PART NUMBER	DESCRIPTION
62	1	EA	DY76	WASHER FL .14 ID .37 D .031 T
68	2	EA	1N5062	DIODE GLASS PASSIVATED
69	2	EA	RN55D5111F	RES 0.25W 5.11K 1%
70	1	EA	SFS02-56-1.00NP	SCREW FLH SKT 2-56 X 1.00 L
71	1	EA	JF1P1SB	CONN MINTR 2 PIN PLUG
72	2	EA	JF1S1PB	CONN MINTR 2 SKT RCPT
73	4	EA	JF2P2SCD	CONN 4 PIN PLUG MINIATURE
74	2	EA	JF2S2PCD	CONN 4 SOCKET RECEPTACLE MINTR
75	1	EA	SFS02-56-1.12NP	SCREW FLH SKT 2-56 1.12L
76	1	EA	SCS08-32-1.50NY	SCREW CAP SKT 8-32 1-1/2 L NYL
77	1	EA	5100-50-H	RTNG RING BASIC EXT 1/2 SHAFT
78	4	EA	SCS02-56-0.75NP	SCREW CAP SKT 2-56 3/4 L
80	3	EA	SBS02-56-0.18NP	SCREW BTH SKT 2-56 3/16 L
81	5	EA	SCS04-40-0.31NP	SCREW CAP SKT 4-40 5/16 L
82	2	EA	SCS06-32-0.25NP	SCREW CAP SKT 6-32 1/4 L
83	2	EA	V130LA10A	VARISTOR 130V 10 AMP
84	2	EA	SCS04-40-0.87NP	SCREW CAP SKT 4-40 7/8 L
85	1	EA	SCS04-40-0.62NP	SCREW CAP SKT 4-40 5/8 L
86	1	EA	5HKP10	CAP 0.1UF 500V CER
87	1	EA	T-2657	TERM BULLET RCPT 22-18AWG INSU
89	1	EA	13791302-01	SHIELD GEAR ASSY
90	1.5	FT	1151-FR-2	SLEEVE 1/4 FIBERGLASS/SLCN NAT

To be used for reference only

PRICE, PART NUMBER AND  
DESCRIPTION SUBJECT TO  
CHANGE WITHOUT NOTICE

Page 4 of 4

Property of Arc Machines, Inc.



To be used for reference only

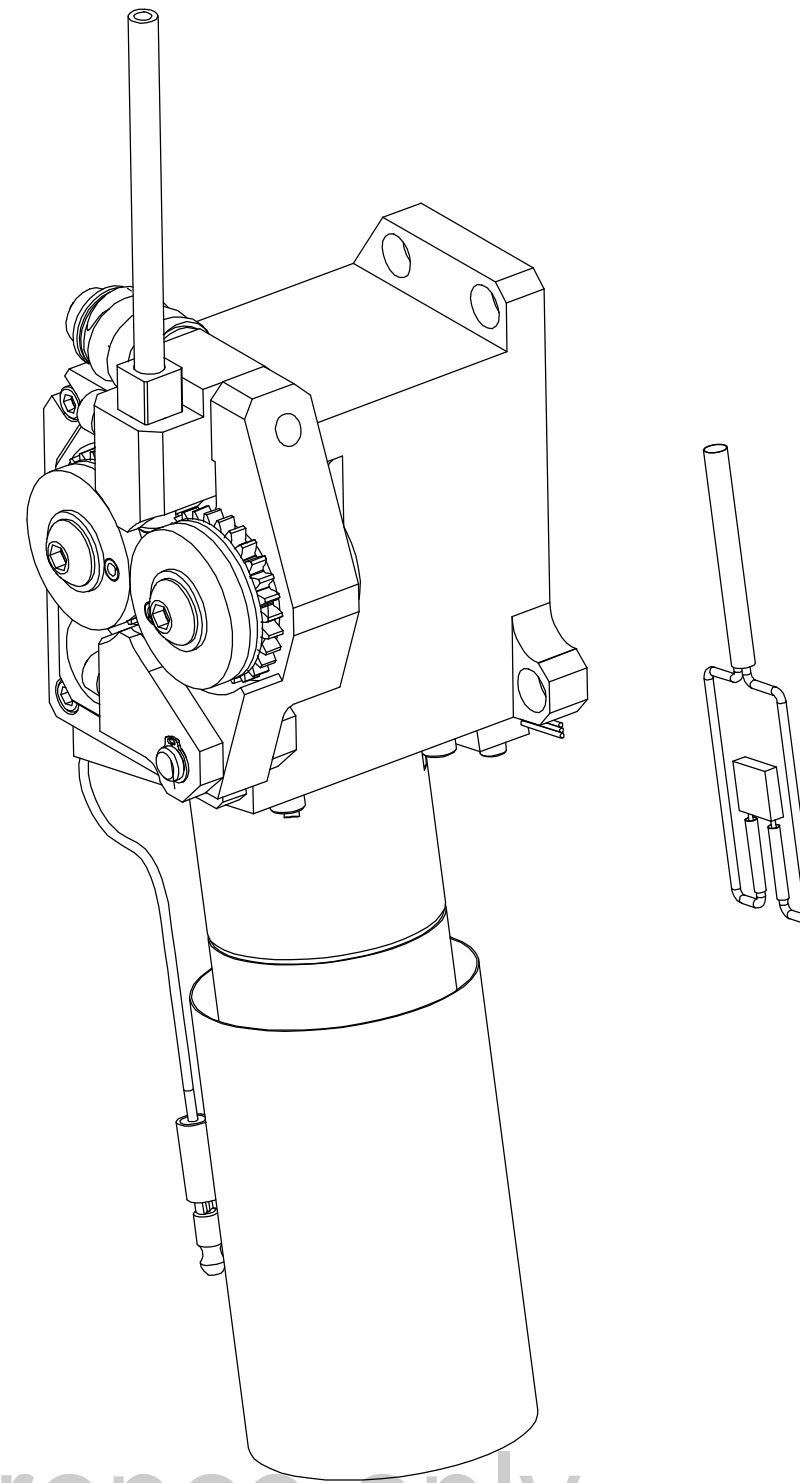
**MODEL 79-6625  
IPB 790523  
WIRE FEEDER ASSEMBLY**

ISSUED: 27 OCT 1997  
REVISED: 30 NOV 2007

TO ORDER USE PART NUMBER.  
PRICE, PART NUMBER AND DESCRIPTION  
SUBJECT TO CHANGE WITHOUT NOTICE.

Property of Arc Machines, Inc.

ITEM NO.	PART NUMBER	DESCRIPTION	QTY.
1	13060510-01	ROLLER WIRE FEED .030 WIRE	2
2	13950525-01	SHAFT DRIVE ASSY	1
3	13950526-01	SHAFT DRIVE	1
4	13950524-01	MOTOR WIRE FEEDER 112RPM	1
5	13150513-01	CABLE GROUND M15 WF MTR	1
10	42950529-02	SHAFT DRIVEN WHEEL	1
11	42950529-01	ARM TENSION	1
12	42950532-02	SHAFT PIVOT	1
13	42950529-03	BUSHING IDLER	1
14	42950530-01	COVER WIRE FEEDER	1
15	42150505-05	WIRE GUIDE END PIECE 8-32	1
16	42950531-01	HOUSING WIRE FEEDER	1
17	42150510-05	SPRING DIE (D-1307)	1
18	42810102-02	WIRE LINER GREY .06 DIA WIRE	1
19	22950534-01	BUSHING FLANGE DELRIN .187ID .500OD (ACETAL)	1
22	5100-18-C	RTNG GING BASIC EXT 3/16 DIA SHAFT	3
23	SSRF-3LLRA3P25LY15	BEARING BALL .18 .50 FLANGED	3
24	5720-17-32	WASHER .19 ID .44 D .032 T	3
25	SBS10-32-0,25NP	SCREW BUTTON SKT 10-32 1/4 L	2
26	SCS10-32-1,25NP	SCREW CAP SKT 10-32 1-1/4L	1
27	24SW0010	WASHER SHLDR NYLON .20ID	2
29	SCS06-32-0,25NP	SCREW CAP SOCKET 6-32 1/4 L	2
31	SCS04-40-0,25NP	SCREW CAP SKT 4-40 1/4 L	4
32	PD09-0,31H	PIN DOWEL HARD 3/32D 5/16L	2
33	SCS02-56-0,31NP	SCREW CAP SKT 2-56 5/16L	2
34	3057L-1-103	POT TRIM 10K 1-1/4IN	1
35	M23053/5-103--0	TBG SHRINK 3/32 ID BLK	6
36	CK06BX104K	CAP 0.1 MF 100V 10%	1
38	EXE-24-19/36-5	WIRE 24 AWG 19 STRD GREEN	1
39	M23053/5-104--0	TBG SHRINK 1/8 ID BLK	1
40	SCS04-40-0,31NP	SCREW CAP SKT 4-40 5/16 L	4
41	M23053/5-111-CL	TBG SHRINK 1-1/2 ID CLE	1
42	W0242-006-S	WAVE WASHER .24 ID .006T	1
43	DB6D7	SPACER SHAFT .18ID .25D .016T	1



To be used for reference only

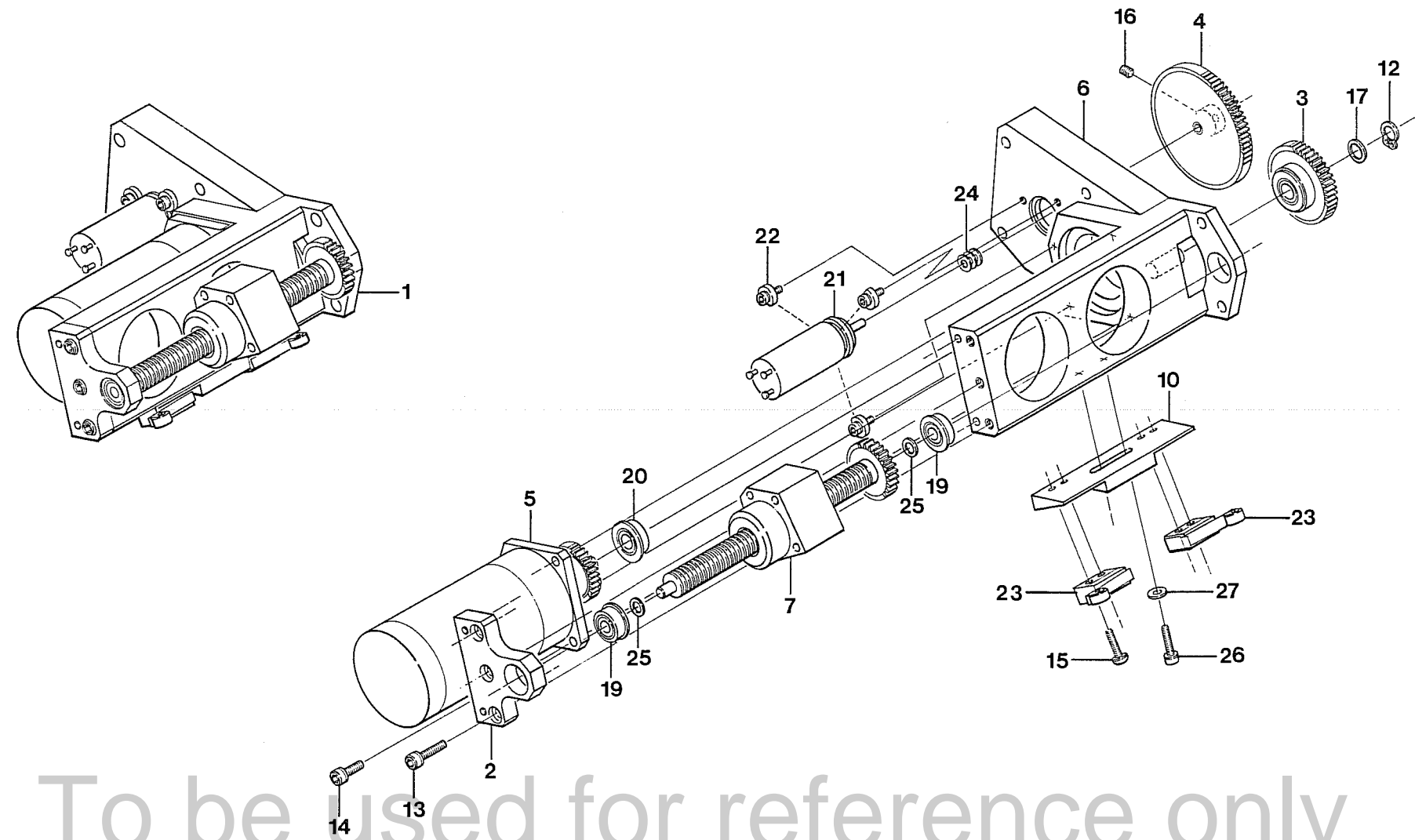
**MODEL 79-6625**  
**IPB 790523**  
**WIRE FEEDER ASSEMBLY**

ISSUED: 27 OCT 1997  
REVISED: 30 NOV 2007

THIS DOCUMENT OR DRAWING AND THE INFORMATION CONTAINED HEREIN IS THE PROPERTY OF ARC MACHINES, INC., IS PROPRIETARY, IS SUBMITTED AND RECEIVED IN CONFIDENCE, SHALL BE USED ONLY FOR THE PURPOSE FOR WHICH IT IS SUBMITTED AND SHALL NOT BE COPIED IN WHOLE OR IN PART WITHOUT THE PRIOR EXPRESS WRITTEN PERMISSION OF ARC MACHINES, INC.



ISSUED: 27 OCT 1997  
REVISED:



To be used for reference only

MODEL 79-6625  
IPB 791311  
DRIVE OSCILLATOR ASSEMBLY

Property of Arc Machines, Inc.



IPB NUMBER: 791311  
 DATE EFFECTIVE: 4 Nov 1997  
 DATE REVISED: 4 Nov 1997

TO ORDER  
 USE PART NUMBER  
 DO NOT USE IPB  
 ITEM NUMBER

ARC MACHINES, INC.  
 PRODUCT MODEL: M79-6625  
 DESCRIPTION: DRIVE OSCILLATOR ASSEMBLY  
 MANUAL NUMBER: 730098  
 NOTES:

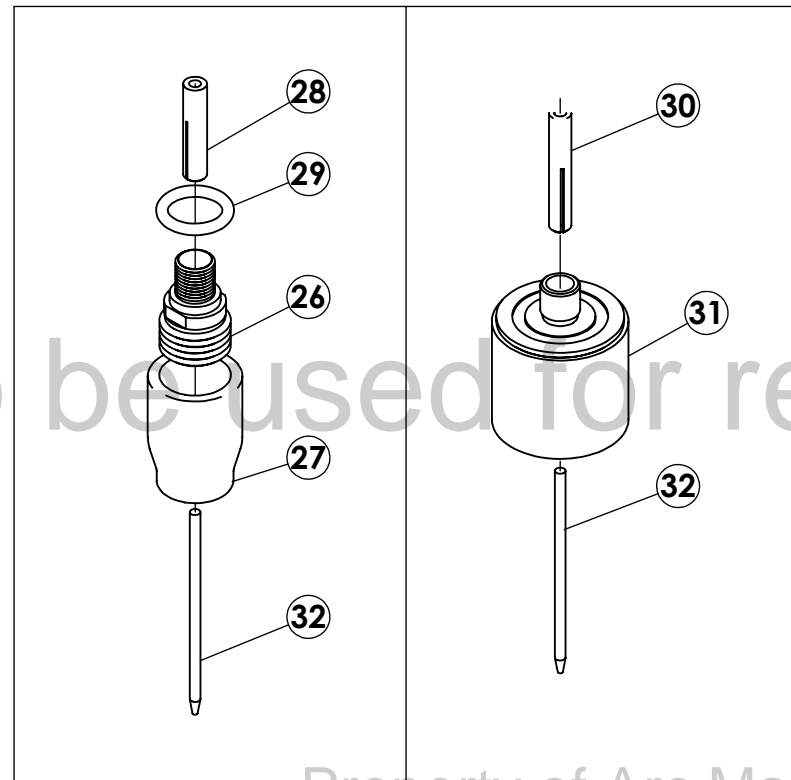
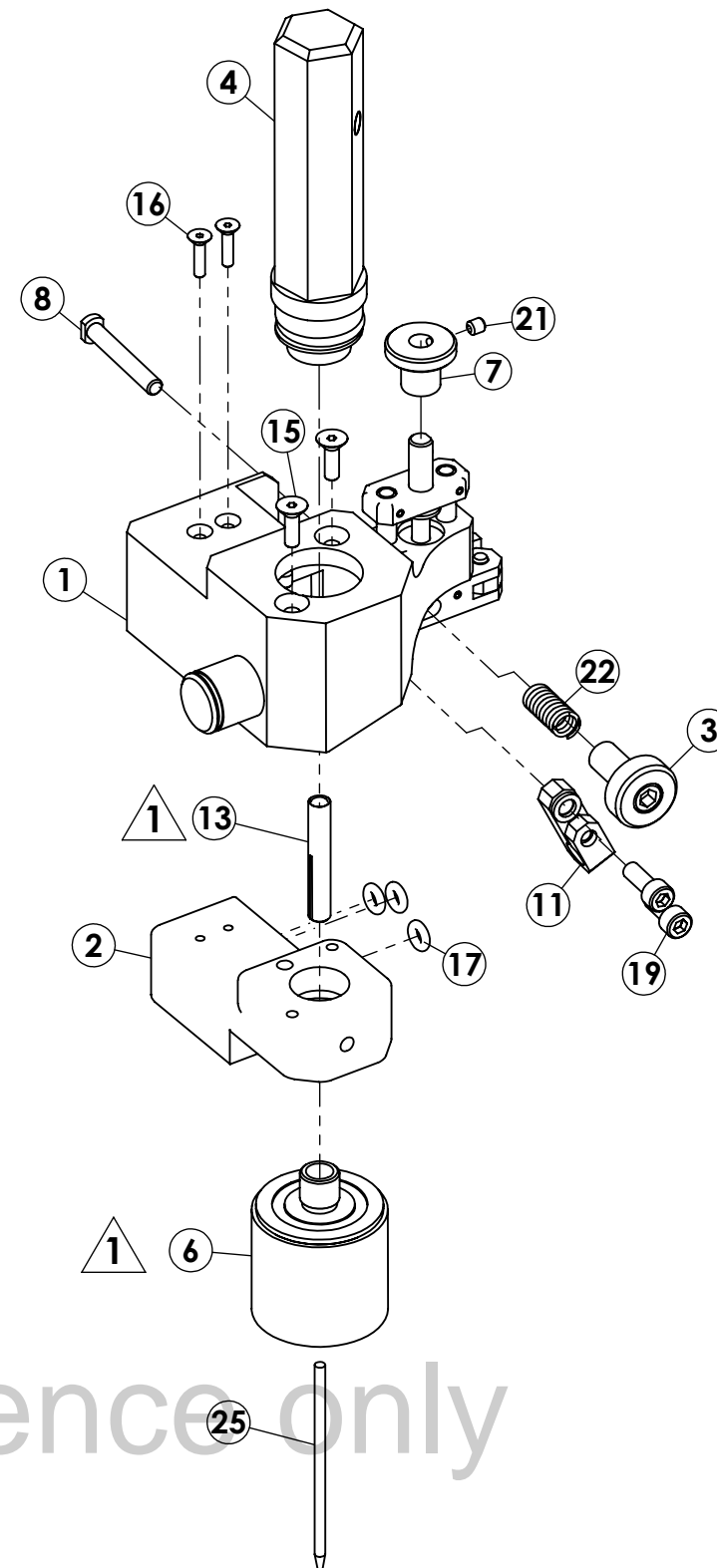
IPB ITEM NUMBER	QTY	U/M	PART NUMBER	DESCRIPTION
1	1	EA	13951311-01	DRIVE ASSY OSC M79-6625 PL A
2	1	EA	13951302-01	PLATE TOP ASSY OSC M95-35 AVC
3	1	EA	13951303-01	GEAR IDLER ASSY OSC M95-35 AVC
4	1	EA	13951313-01	GEAR DRIVE POT ASSY
5	1	EA	13951305-01	MOTOR ASSY OSC M95-35 AVC
6	1	EA	13791303-01	FRAME OSC ASSY M79-6625
7	1	EA	13951312-01	SHAFT BALL SCREW ASSY
10	1	EA	42951312-05	PLATE LIMIT SWITCH OSC 95-6625
12	1	EA	5100-18	RTNG RING BASIC EXT 3/16 SFT
13	3	EA	SCS04-40-0.37NP	SCREW CAP SKT 4-40 3/8 L
14	3	EA	SCS04-40-0.31NP	SCREW CAP SKT 4-40 5/16 L
15	4	EA	SBS02-56-0.37NP	SCREW BTH SKT 2-56 3/8 L
16	1	EA	SSS02-56-12NPCU	SCREW SET SKT 2-56 1/8 L CUPT
17	1	EA	DB6D8	SPACER SHAFT .18ID .25D .031T
19	2	EA	DDRF-2LLRA3P25 [	BRG BALL .12 .37 .156W [LY15]
20	1	EA	DDRIF-6632LLRA3 [	BRG BALL .18 .37 [P25LY15]
21	1	EA	164-21-103	POT 10 TURN 10K OHM SERVO MTG
22	3	EA	DL320T	CLEAT MOTOR MOUNT .031 CL 2-56
23	2	EA	MMGGD1W2C	SWITCH LIMIT LEAF ROLLER
24	3	EA	DB6D22	SPACER SHAFT .09ID .20D .016T
25	2	EA	DB4D7	SPACER SHAFT .12ID .18D .016T
26	2	EA	SCS02-56-0.37NP	SCREW CAP SKT 2-56 3/8 L
27	2	EA	W02ZP-FL	WASHER FL #2

FLANGED  
 FLANGED

To be used for reference only

PRICE, PART NUMBER AND  
 DESCRIPTION SUBJECT TO  
 CHANGE WITHOUT NOTICE

ITEM NO.	PART NUMBER	DESCRIPTION	QTY.
1	13790701-01	SLIDE VERTICAL ASSY M79-6625	1
2	13950753-01	BODY TORCH BRZD ASSY M95-35AVC	1
3	13950746-01	KNOB ADJUST BRAZED ASSY	1
4	13950768-01	CAP COLLET ASSY EXTEND. ELECTRODE	1
6	13950752-02	GAS LENS ASSY QUARTZ CUP .125	1
7	42950761-02	KNOB ADJUST VERTICAL	1
8	42790701-04	SCREW CROSS SEAM ADJUST	1
11	42790701-02	COLLET TORCH .125 X 1.11 LONG	1
13	42950765-05	COLLET TORCH .125 X 1.11 LONG	1
15	SFS04-40-0,37NP	SCREW FLH SKT 4-40 3/8 L	2
16	SFS02-56-0,37NP	SCREW, FLH, SKT, 2-56, 3/8 LG	2
17	2-006-S604-70	O RING .114 ID .070W SILICONE	3
18	SCS06-32-0,37NP	SCREW CAP SKT 6-32 3/8L	1
19	SCS06-32-0,31NP	SCREW CAP SKT 6-32 5/16 L	1
21	SSS04-40-12NPCU	SCREW SET SKT 4-40 1/8 L CUPT	1
22	O-112	SPRING CPRSN .37D .50L .055W	1
24	DY105	WASHER LOCK INT TOOTH #6	1
25	TUNGSTEN .093 DIA	REF.	1
26	42061108-02	GAS LENS .094	1
27	53N61	GAS CUP HW-20 #7 STD	1
28	13N23	COLLET TORCH .094 X .95 L	1
29	RO0394-118-60SLR	O RING .394 ID .118 W SIL	1
30	42950765-04	COLLET TORCH .125 X 1.11 LONG	1
31	13950752-02	GAS LENS ASSTY QUARTZ CUP .125	1
32	TUNGSTEN .093 DIA	REF.	1



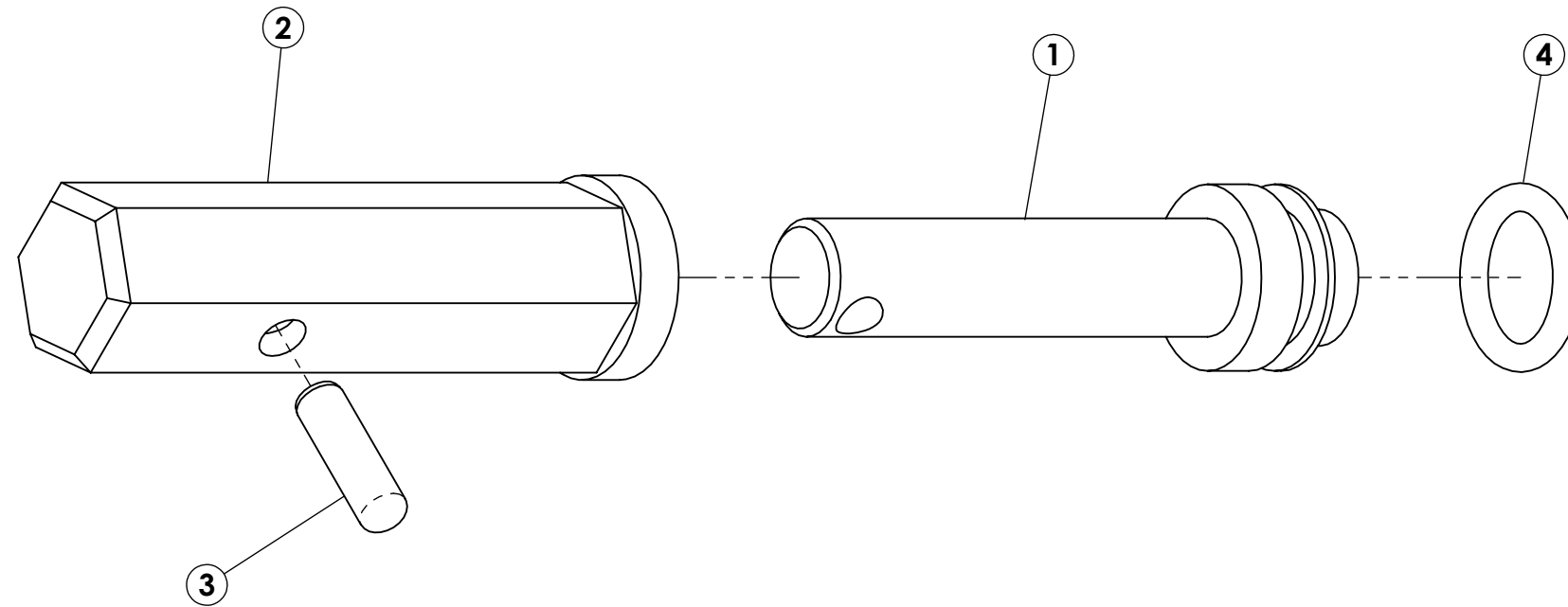
To be used for reference only

MODEL 79-6625  
 IPB 790700  
 TORCH ASSEMBLY

ISSUED: 27 OCT 1997  
 REVISED: 25 APR 2012

TO ORDER USE PART NUMBER.  
 PRICE, PART NUMBER AND DESCRIPTION  
 SUBJECT TO CHANGE WITHOUT NOTICE.

Property of Arc Machines, Inc.  
**1** ITEM OPTIONS

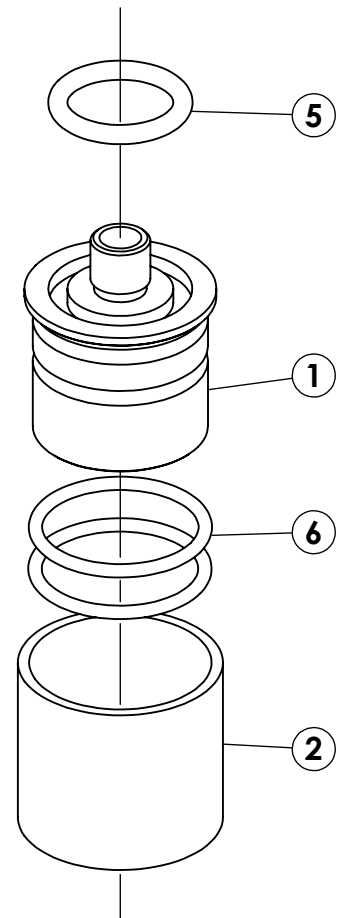


ITEM NO.	PART NUMBER	DESCRIPTION	QTY.
1	42950777-01	RETAINER COLLAR TUNGSTEN FOR EXT.ELECTRODE	1
2	421507494-02	HANDLE CAP GAS	1
3	PD18-0,62G10	PIN, DOWEL 3/16D 5/8L G-10	1
4	2-112-S604-70	O-RING .487ID .103W 60 SIL	1

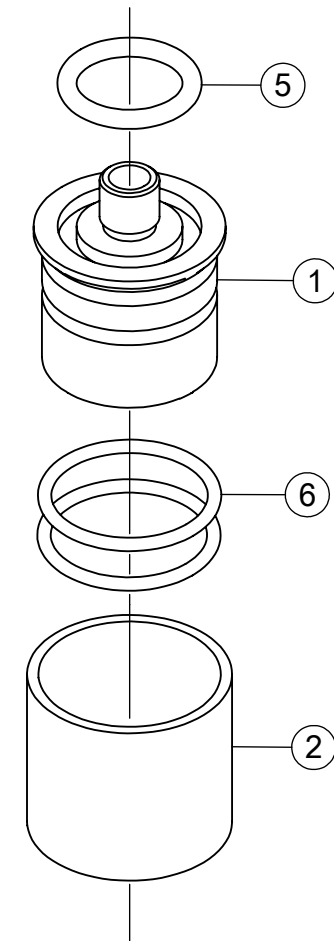
To be used for reference only

MODEL 95  
 IPB 950768  
 CAP COLLET ASSY EXTENDED  
 ELECTRODE STYLE

ISSUED: 17 APR 2012  
 REVISED:



ITEM NO.	PART NUMBER	DESCRIPTION	QTY.
1	42950765-01	GAS LENS HW-27 .094 FOR QUARTZ CUP	1
2	42950765-03	GAS CUP QUARTZ .94L X 0.945 ID X 1.063 OD	1
5	2-113-S613-60	O RING .549 ID .103 W SIL	1
6	2-019-V747-75	O RING .801 ID .070 W VITON	2



ITEM NO.	PART NUMBER	DESCRIPTION	QTY.
1	42950765-02	GAS LENS HW-27 .125 FOR QUARTZ CUP	1
2	42950765-03	GAS CUP QUARTZ .94L X 0.945 ID X 1.063 OD	1
5	2-113-S613-60	O RING .549 ID .103 W SIL	1
6	2-019-V747-75	O RING .801 ID .070 W VITON	2

950752(-02)

To be used for reference only

950752(-01)

MODEL 95

IPB 950752 (-01)  
GAS LENS QUARTZ CUP ASSEMBLY .125

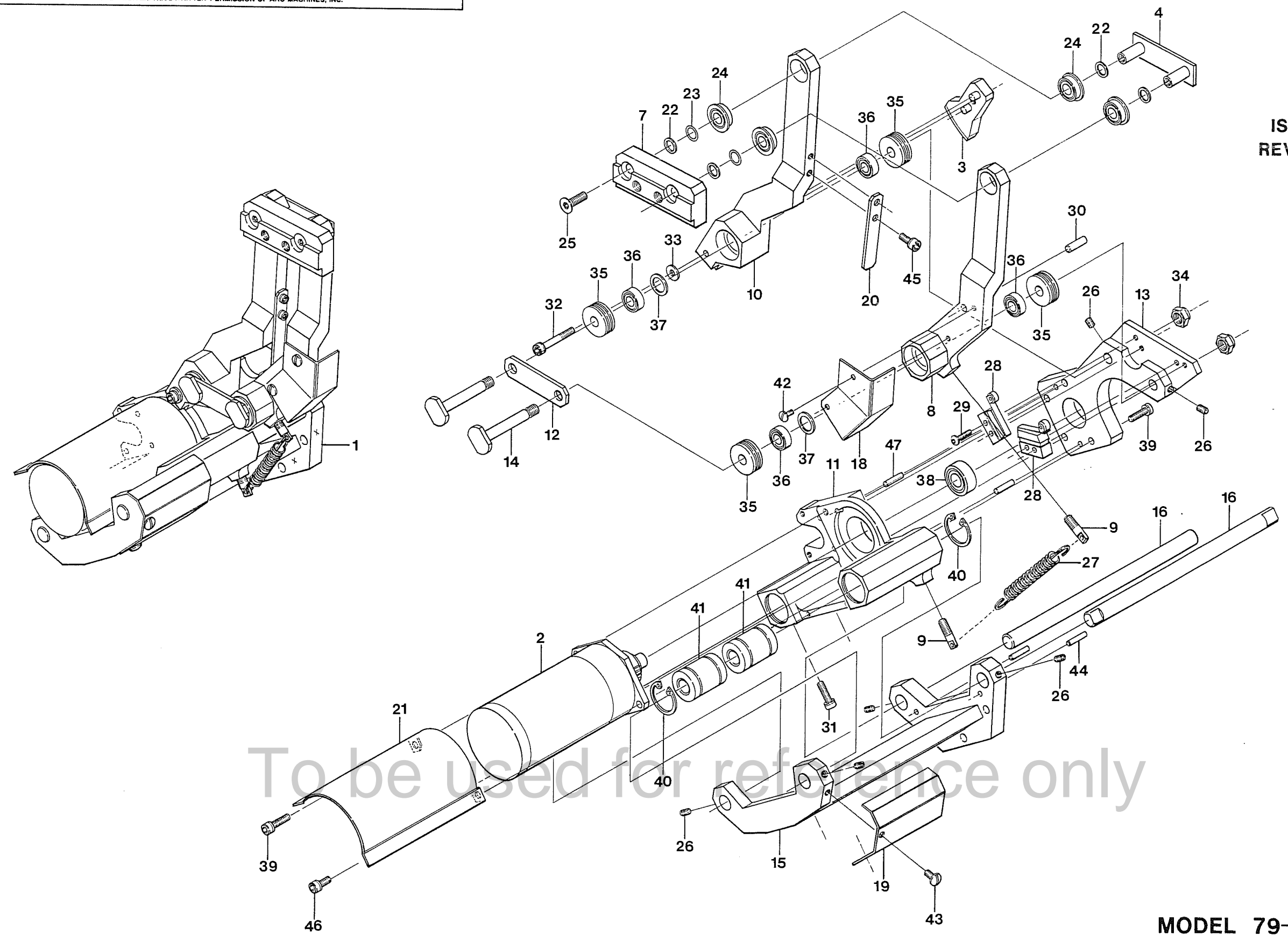
IPB 950752 (-02)  
GAS LENS QUARTZ CUP ASSEMBLY .094

ISSUED: 21 JAN 2004  
REVISED: 17 APR 2012

THIS DOCUMENT OR DRAWING AND THE INFORMATION CONTAINED HEREIN IS THE PROPERTY OF ARC MACHINES, INC., IS PROPRIETARY, IS SUBMITTED AND RECEIVED IN CONFIDENCE, SHALL BE USED ONLY FOR THE PURPOSE FOR WHICH IT IS SUBMITTED AND SHALL NOT BE COPIED IN WHOLE OR IN PART WITHOUT THE PRIOR EXPRESS WRITTEN PERMISSION OF ARC MACHINES, INC.



ISSUED: 27 OCT 1997  
REVISED:



To be used for reference only

Property of Arc Machines, Inc.

MODEL 79-6625  
IPB 791212  
AVC ASSEMBLY

IPB NUMBER: 791212  
 DATE EFFECTIVE: 4 Nov 1997  
 DATE REVISED: 4 Nov 1997

TO ORDER  
 USE PART NUMBER  
 DO NOT USE IPB  
 ITEM NUMBER

ARC MACHINES, INC.  
 PRODUCT MODEL: M79-6625  
 DESCRIPTION: AVC ASSEMBLY  
 MANUAL NUMBER: 730098  
 NOTES:

IPB ITEM NUMBER	QTY	U/M	PART NUMBER	DESCRIPTION
1	1	EA	13951212-01	AVC ASSY M79-6625 PLATE A
2	1	EA	13951206-01	MOTOR AVC ASSY 7 RPM
3	1	EA	13951213-01	GEAR AVC ASSY DRIVEN M95-6625
4	1	EA	13951214-01	SUPPORT SHAFT ASSY PARALEL ARM
7	1	EA	42951219-03	PLATE TORCH ADJUST PARALEL ARM
8	1	EA	42951218-01	ARM AVC UPPER M95-6625
9	2	EA	42951210-04	ANCHOR SPRING
10	1	EA	42951218-02	ARM AVC LOWER M95-6625
11	1	EA	42951314-01	SLIDE OSCILLATOR M79-6625
12	1	EA	42951217-01	LINK ARM AVC M95-6625
13	1	EA	42951217-03	PLATE AVC M95-6625
14	2	EA	42951216-01	SHAFT PIVOTING AVC
15	1	EA	42951313-01	BRACKET SLIDE OSC M95-6625
16	2	EA	42951312-03	SHAFT SLIDE OSCILLATOR 95-6625
18	1	EA	42951315-02	COVER LIMIT SWITCH
19	1	EA	42951310-01	COVER OSCILLATOR SLIDE
20	1	EA	42951217-04	STRIKER LIMIT SWITCH M79-6625
21	1	EA	42951315-03	COVER MOTOR OSC M79-6625
22	2	EA	DB6D4	SPACER SHAFT .18ID .25D .010T
23	5	EA	DB6D24	SPACER SHAFT .18ID .25D .002T
24	4	EA	DDRIF-6632LLRA3 [	BRG BALL .18 .37 [P25LY15] FLANGED
25	2	EA	SFS04-40-0.31NP	SCREW FLH SKT 4-40 5/16 L
26	6	EA	SSS04-40-12NPCU	SCREW SET SKT 4-40 1/8 L CUPT
27	1	EA	5962	SPRING EXT .25OD .037W 1.12L
28	2	EA	MMGGD1W2C	SWITCH LIMIT LEAF ROLLER
29	4	EA	SBS02-56-0.31NP	SCREW BTH SKT #2-56 X 5/16
30	1	EA	PD12-0.37H	PIN DOWEL HARD 1/8D 3/8L
31	2	EA	SCS06-32-0.43NP	SCREW CAP SKT 6-32 7/16 L
32	2	EA	SCS04-40-0.62NP	SCREW CAP SKT 4-40 5/8 L
33	1	EA	W04ZP-FL	WASHER FLAT #4
34	2	EA	N08-32SS-HEX-LG	NUT 8-32 SS LOCKING
35	4	EA	B5-2-SS	BEARING THRUST .18B .50D .18T
36	7	EA	DDRI-6632LLRA3 [	BRG BALL .18 .37 [P25LY15]
37	2	EA	DB3D61	SPACER SHIM .253ID .373D .031T
38	1	EA	DDRI-814LLRA3P [	BRG BALL .25 .50 [25LY15]
39	7	EA	SCS04-40-0.37NP	SCREW CAP SKT 4-40 3/8 L
40	4	EA	N5000-50-H	RTNG RING BASIC INTL .500 HSG

PRICE, PART NUMBER AND  
 DESCRIPTION SUBJECT TO  
 CHANGE WITHOUT NOTICE

IPB NUMBER: 791212

TO ORDER  
USE PART NUMBER  
DO NOT USE IPB  
ITEM NUMBER

ARC MACHINES, INC.

DATE EFFECTIVE: 4 Nov 1997  
DATE REVISED: 4 Nov 1997

PRODUCT MODEL: M79-6625  
DESCRIPTION: AVC ASSEMBLY  
MANUAL NUMBER: 730098  
NOTES:

IPB ITEM NUMBER	QTY	U/M	PART NUMBER	DESCRIPTION
41	4	EA	SUPER-4CR	BEARING BALL BSHG .25B.50D.75L
42	2	EA	SIL02-56-0.18NP	SCREW BDH SLT 2-56 3/16 L
43	2	EA	SIL04-40-0.18NP	SCREW BDH SLT 4-40 3/16 L
44	2	EA	PR09-0.37SS	PIN ROLL 3/32D 3/8L SST
45	2	EA	SCS04-40-0.25NP	SCREW CAP SKT 4-40 1/4 L
46	2	EA	SCS04-40-0.18NP	SCREW CAP SKT 4-40 3/16 L
47	2	EA	PR09-0.31SS	PIN ROLL 3/32D 5/16L SST

To be used for reference only

PRICE, PART NUMBER AND  
DESCRIPTION SUBJECT TO  
CHANGE WITHOUT NOTICE

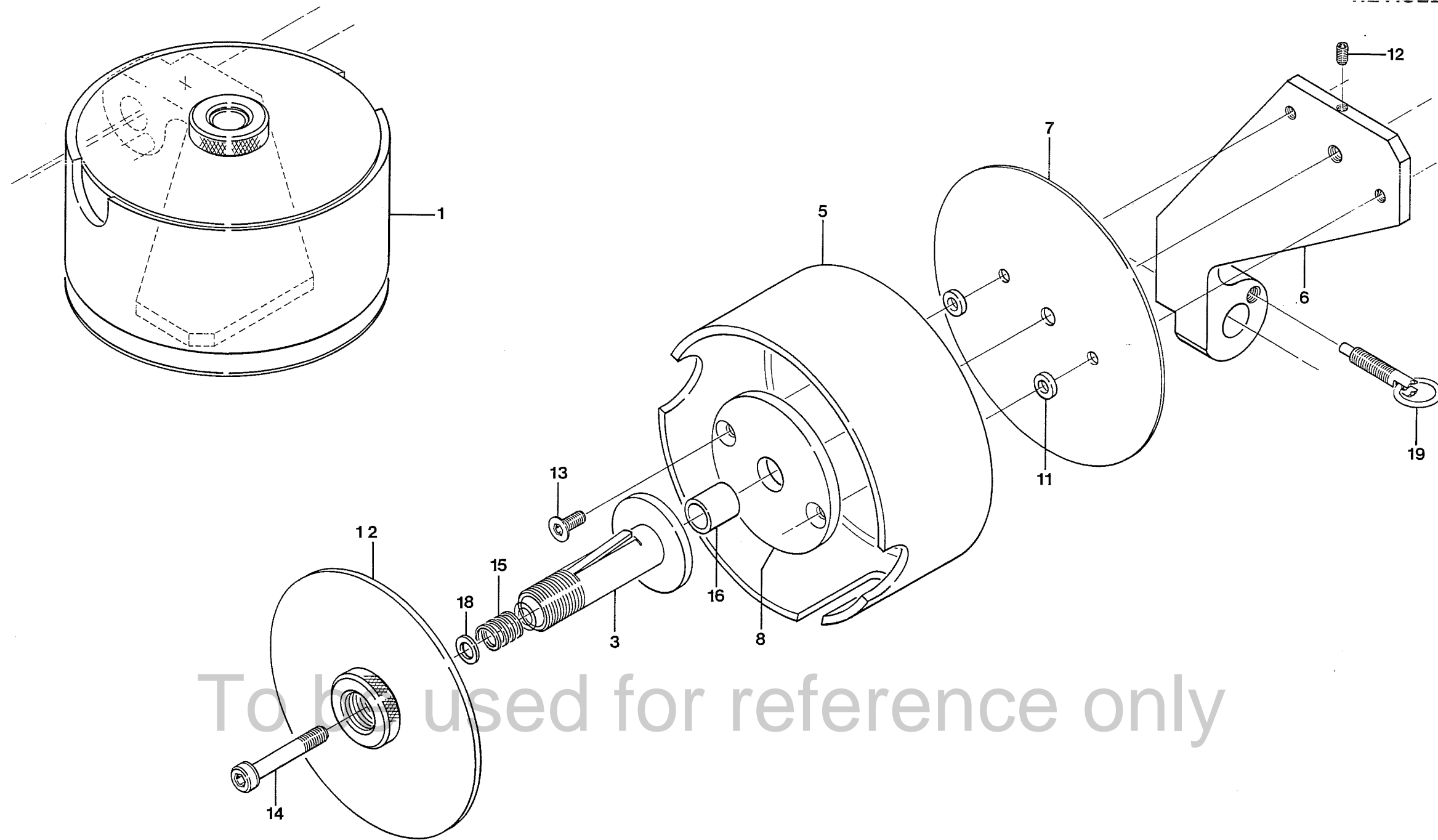
Page 3 of 3

Property of Arc Machines, Inc.

THIS DOCUMENT OR DRAWING AND THE INFORMATION CONTAINED HEREIN IS THE PROPERTY OF ARC MACHINES, INC., IS PROPRIETARY, IS SUBMITTED AND RECEIVED IN CONFIDENCE, SHALL BE USED ONLY FOR THE PURPOSE FOR WHICH IT IS SUBMITTED AND SHALL NOT BE COPIED IN WHOLE OR IN PART WITHOUT THE PRIOR EXPRESS WRITTEN PERMISSION OF ARC MACHINES, INC.



ISSUED: 27 OCT 1997  
REVISED: 02 SEPT 1998



Property of Arc Machines, Inc.

MODEL 79-6625  
IPB 790407  
WIRE SPOOL HOLDER ASSEMBLY



IPB NUMBER: 790407  
 DATE EFFECTIVE: 4 Nov 1997  
 DATE REVISED: 2 Sep 1998

TO ORDER  
 USE PART NUMBER  
 DO NOT USE IPB  
 ITEM NUMBER

ARC MACHINES, INC.  
 PRODUCT MODEL: M79-6625  
 DESCRIPTION: WIRE SPOOL HOLDER ASSEMBLY  
 MANUAL NUMBER: 730098  
 NOTES:

IPB ITEM NUMBER	QTY	U/M	PART NUMBER	DESCRIPTION
1	1	EA	13950407-01	WIRE SPOOL HOLDER 4 IN 79-6625
2	1	EA	13810413-01	COVER ASSY STD 4" DIA SPOOL
3	1	EA	13150405-01	SPINDLE 4.00 WIRE SPOOL
5	1	EA	42450400-01	CANISTER 4.00 WIRE SPOOL
6	1	EA	42950409-01	BRACKET MTG CANISTER 4IN SPOOL
7	1	EA	42950409-02	HEAT SHIELD CANISTER 4IN SPOOL
8	1	EA	42430402-01	WASHER FRICTION
11	2	EA	31D52	WASHER .169ID .37D .062T SST
12	1	EA	DCS15	SCREW SET SKT 6-32 9/32L NY PT
13	2	EA	SFS10-32-0.37NP	SCREW FLH SKT 10-32 .37L
14	1	EA	SCS25-20-1.37NP	SCREW CAP SKT 1/4-20 1-3/8 L
15	1	EA	S-312	SPRING CPRSN .37D .50L .055W
16	1	EA	DB1019	BEARING OIL-LESS .37ID .5D .50
18	3	EA	DB8D8	SPACER SHAFT .25ID .37D .031T
19	1	EA	SPR-250N	PLUNGER SPRING 1/4-20X .8L THD

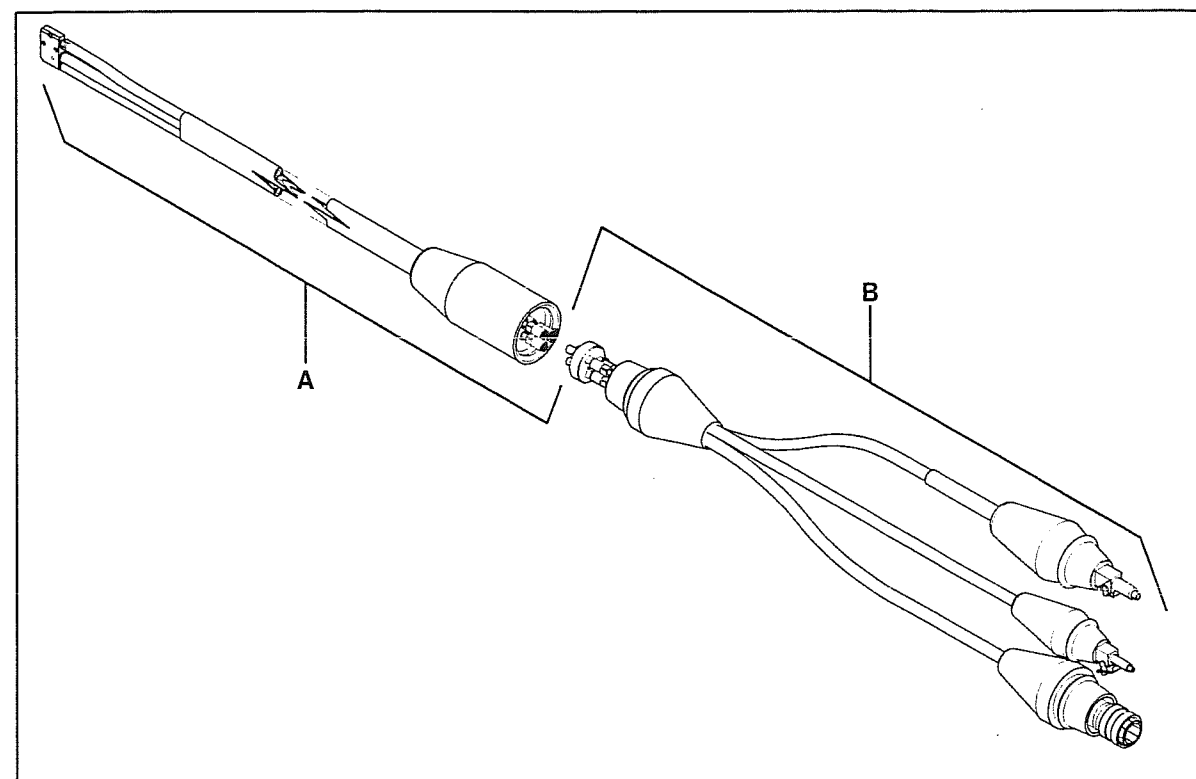
To be used for reference only

PRICE, PART NUMBER AND  
 DESCRIPTION SUBJECT TO  
 CHANGE WITHOUT NOTICE

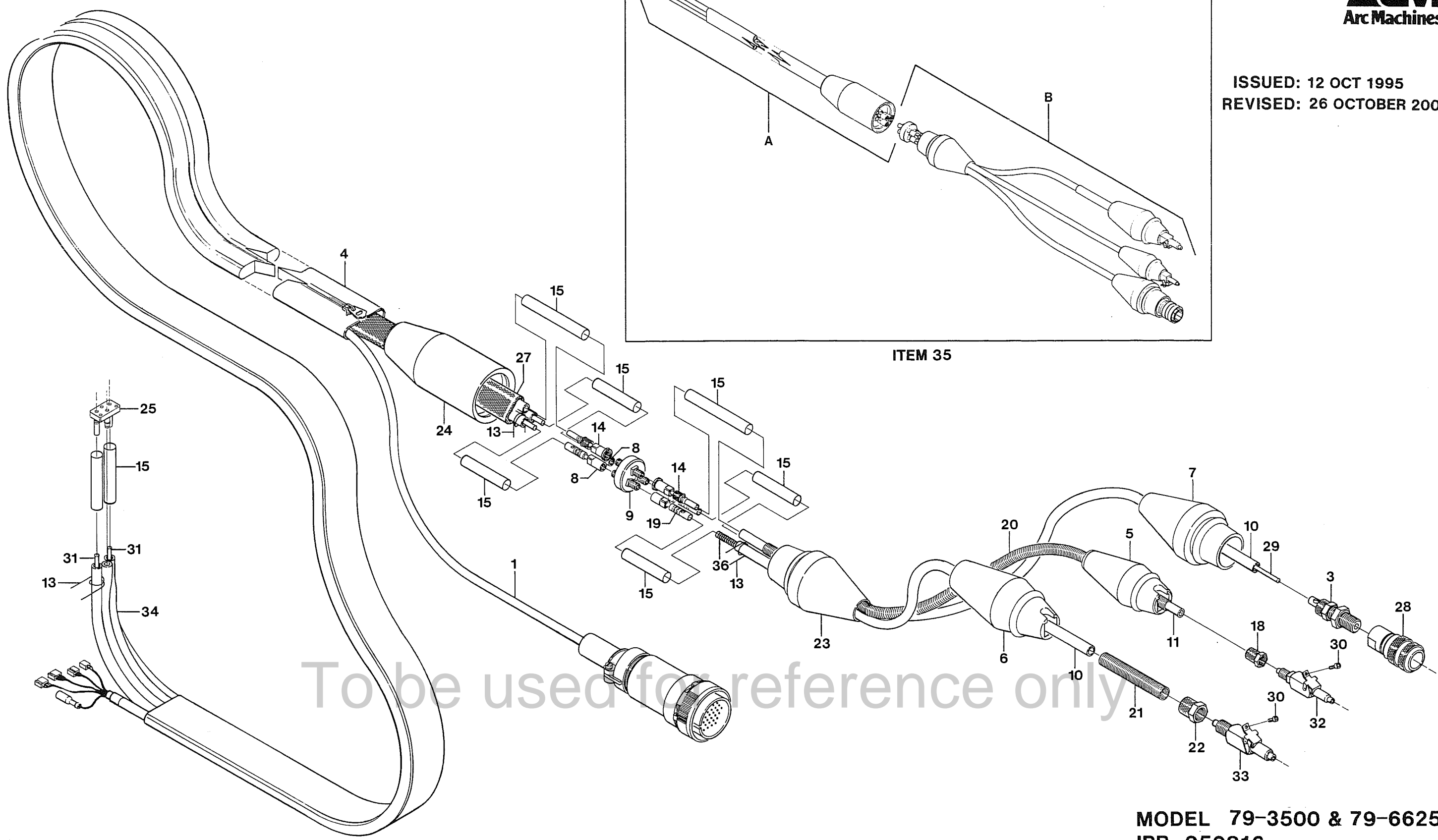
THIS DOCUMENT OR DRAWING AND THE INFORMATION CONTAINED HEREIN IS THE PROPERTY OF ARC MACHINES, INC., IS PROPRIETARY, IS SUBMITTED AND RECEIVED IN CONFIDENCE. SHALL BE USED ONLY FOR THE PURPOSE FOR WHICH IT IS SUBMITTED AND SHALL NOT BE COPIED IN WHOLE OR IN PART WITHOUT THE PRIOR EXPRESS WRITTEN PERMISSION OF ARC MACHINES, INC.



ISSUED: 12 OCT 1995  
REVISED: 26 OCTOBER 2000



ITEM 35



To be used for reference only

MODEL 79-3500 & 79-6625  
IPB 950816  
CABLE SERVICE ASSEMBLY

Property of Arc Machines, Inc.

ARC-GRAPHICS REORDER NO. AG4680

IPB NUMBER: 950816  
 DATE EFFECTIVE: 17 Dec 1996  
 DATE REVISED: 26 Oct 2000

TO ORDER  
 USE PART NUMBER  
 DO NOT USE IPB  
 ITEM NUMBER

ARC MACHINES, INC.  
 PRODUCT MODEL: M79-6625  
 DESCRIPTION: CABLE SERVICE ASSEMBLY  
 MANUAL NUMBER: 730098  
 NOTES: ALSO IN 730097

IPB ITEM NUMBER	QTY	U/M	PART NUMBER	DESCRIPTION
1	1	EA	13950817-01	CABLE CONTROL M95-3500
2	1	EA	-	-----
3	1	EA	42060800-07	FTG COUPLING HOSE/CABLE
4	1	EA	ZT93-07-007A	TBG ZIPPER 8 FT LENGTH
5	1	EA	42060805-04	BOOT MALE GAS
6	1	EA	42060804-03	BOOT MALE WATER
7	1	EA	42060804-01	BOOT MALE POWER/GROUND
8	2	EA	2PF1	FTG 1/4-28 FEMALE
9	1	EA	13450805-01	ADAPTER ASSY
10	21	FT	42090806-01	TBG POLYU/ETHR BRAID 1/4ID 3/8
11	11	FT	42150810-01	TBG TEFLON (PTFE NAT)
13	1	IN	MS20995C25	LOCKWIRE 1LB SPOOL .025D 304SS
14	2	EA	13450806-01	FTG GAS CLAMP-NUT 1/4-28 FEM
15	9	IN	FP-301-0.37	TBG SHRINK
18	1	EA	261-PG-04	FTG NUT/SLEEVE SPRING 1/4 TUBE
19	2	EA	ARC-1881	FTG WTR/PWR-CA CRIMP 1/4-28
20	1	EA	AS200718	SPRING GUARD .34 OD 18.00 LG
21	1	EA	AS200717	SPRING GUARD .48 OD 18 IN LG
22	1	EA	261-PG-06	FTG NUT/SLEEVE SPRING 3/8 TBG
23	1	EA	42450806-03	BOOT MALE (42060804-01)
24	1	EA	42450806-04	BOOT FEMALE (42060804-02)
25	1	EA	13950822-01	MANIFOLD WATER/GAS M95-35 AVC
27	36	IN	TJ-S-10	SLEEVE FIBERGLASS 5/8 IN NAT
28	1	EA	42060800-02	CPLG Q/D WATER FEM MOD SM-251B
29	1	FT	NER7-95-36T	CABLE COPPER ROPE 8 AWG TINNED
30	2	EA	SCS04-40-0.31NP	SCREW CAP SKT 4-40 5/16 L
31	21	FT	NER7-37-36T	CABLE COPPER ROPE 12 GA
32	1	EA	1351109-01	COUPLING Q/D ASSY MALE GAS
33	1	EA	1351110-01	COUPLING Q/D ASSY MALE GAS
34	9.7	FT	C2101543	TBG POLYU/ETHER BASE 3 BONDED
35	1	EA	13790803-01	CABLE ASSY POWER/WATER
35A	1	EA	13790804-01	CABLE ASSY POWER/WATER
35B	1	EA	13790802-01	CABLE ASSY POWER ADAPTER -
36	0.6	FT	SS3-26	SPRING EXT .18D .026W 20 IN SS

BRASS SWIVEL NUT (FEMALE)

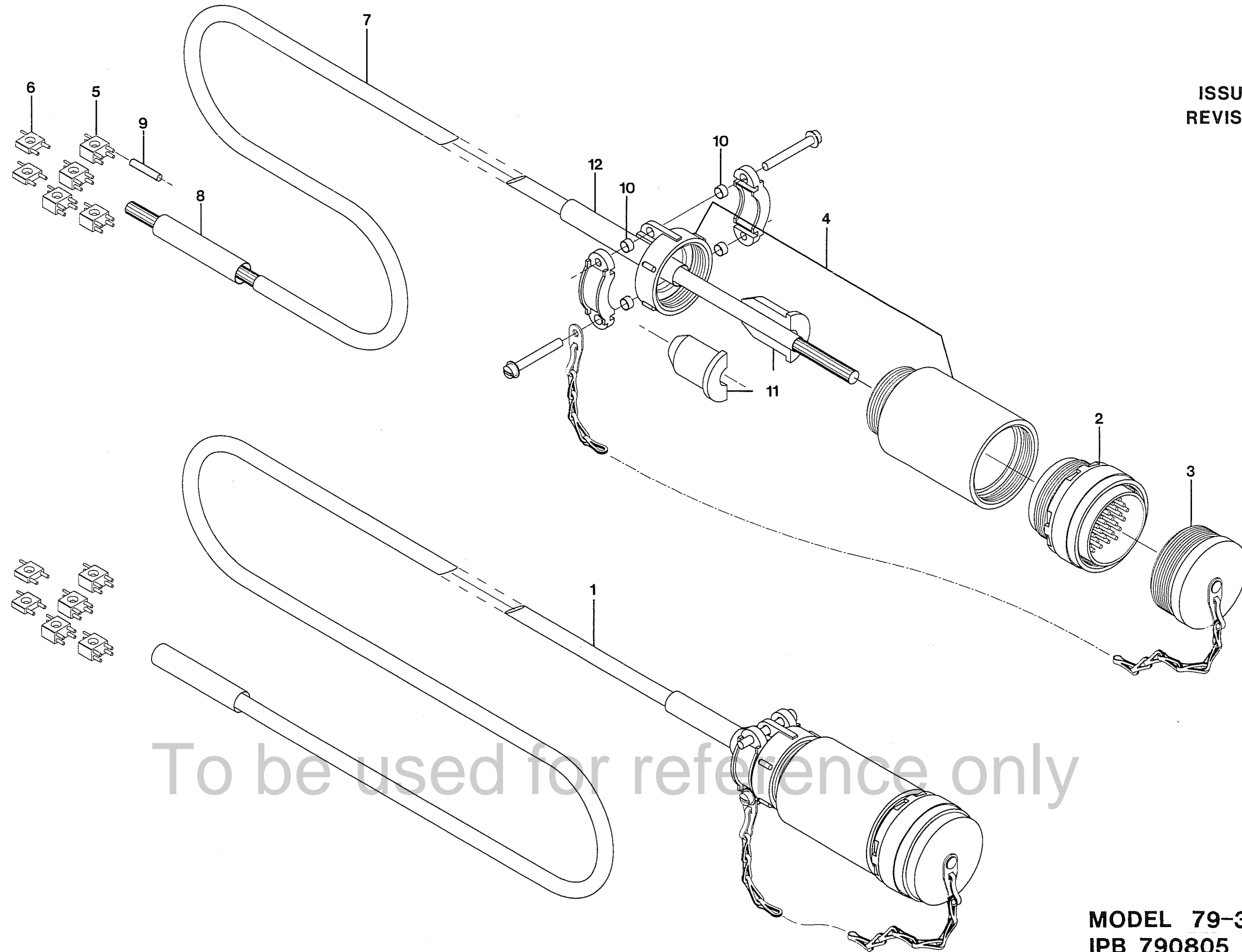
.170 ID x .250 OD  
 M79-3500/79-6625  
 M79-3500/79-6625  
 WELD HEAD END

PRICE, PART NUMBER AND  
 DESCRIPTION SUBJECT TO  
 CHANGE WITHOUT NOTICE

THIS DOCUMENT OR DRAWING AND THE INFORMATION CONTAINED HEREIN IS THE PROPERTY OF ARC MACHINES, INC., IS PROPRIETARY, IS SUBMITTED AND RECEIVED IN CONFIDENCE, SHALL BE USED ONLY FOR THE PURPOSE FOR WHICH IT IS SUBMITTED AND SHALL NOT BE COPIED IN WHOLE OR IN PART WITHOUT THE PRIOR EXPRESS WRITTEN PERMISSION OF ARC MACHINES, INC.



ISSUED: 26 OCTOBER 2000  
REVISED:



To be used for reference only

Property of Arc Machines, Inc.

MODEL 79-3500  
IPB 790805  
CABLE CONTROL ASSEMBLY

IPB NUMBER: 790805  
DATE EFFECTIVE: 26 Oct 2000  
DATE REVISED: 26 Oct 2000

TO ORDER  
USE PART NUMBER  
DO NOT USE IPB  
ITEM NUMBER

ARC MACHINES, INC.  
PRODUCT MODEL: 79-2375  
DESCRIPTION: CABLE CONTROL ASSEMBLY  
MANUAL NUMBER: 730096  
NOTES: ALSO IN: 730097 & 730098

IPB ITEM NUMBER	QTY	U/M	PART NUMBER	DESCRIPTION
1	1	EA	13950817-01	CABLE CONTROL M95-3500
2	1	EA	MS3106A28-21PX[	CONN 37 PIN STRAIGHT [F42] W/X INSERT POSN W/OUT ENDBELL
3	1	EA	1350110-06	DUST CAP ASSY W/CHAIN(MALE28D)
4	1	EA	G1501A2816A3A	CONN BACKSHELL
5	4	EA	JF2P2SCD	CONN 4 PIN PLUG MINIATURE
6	2	EA	JF1P1SB	CONN MINTR 2 PIN PLUG
7	12	FT	CWPT12661	CABLE 13 TP 24 AWG SHIELD BLK
8	2	IN	M23053/5-107-0	TBG SHRINK 3/8 ID BLK
9	24	IN	M23053/5-104-0	TBG SHRINK 1/8 ID BLK
10	0.1	FT	1017	TBG SILICONE 5/32ID
11	1	EA	4255287-01	STRAIN RELIEF CONTROL CABLE
12	2	IN	M23053/5-108-0	TBG SHRINK 1/2 ID BLK

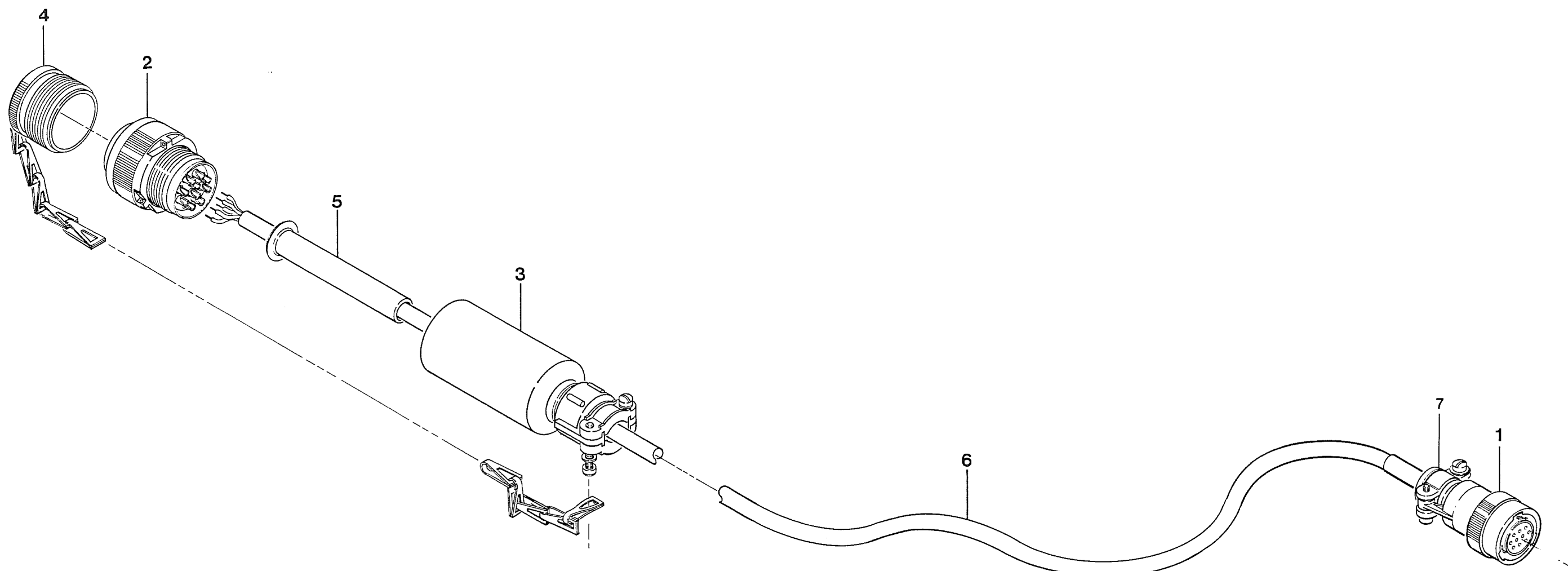
To be used for reference only

PRICE, PART NUMBER AND  
DESCRIPTION SUBJECT TO  
CHANGE WITHOUT NOTICE

THIS DOCUMENT OR DRAWING AND THE INFORMATION CONTAINED HEREIN IS THE PROPERTY OF ARC MACHINES, INC., IS PROPRIETARY, IS SUBMITTED AND RECEIVED IN CONFIDENCE. SHALL BE USED ONLY FOR THE PURPOSE FOR WHICH IT IS SUBMITTED AND SHALL NOT BE COPIED IN WHOLE OR IN PART WITHOUT THE PRIOR EXPRESS WRITTEN PERMISSION OF ARC MACHINES, INC.



ISSUED: 10 FEB 1997  
REVISED: 10 FEB 1998



To be used for reference only

MODEL 95-3500  
IPB 950811  
CABLE HANDLE ASSEMBLY

Property of Arc Machines, Inc.

IPB NUMBER: 950811

TO ORDER  
USE PART NUMBER

ARC MACHINES, INC.

DATE EFFECTIVE: 11 Feb 1997  
DATE REVISED: 10 Feb 1998

DO NOT USE IPB  
ITEM NUMBER

PRODUCT MODEL: 95-3500  
DESCRIPTION: CABLE HANDLE ASSEMBLY  
MANUAL NUMBER: 730075  
NOTES: ALSO IN 730098

IPB ITEM NUMBER	QTY	U/M	PART NUMBER	DESCRIPTION
1	1	EA	KPT06A12-10S	CONN 10 PIN PLUG WITH ENDBELL
2	1	EA	MS3106E18-1PF42	CONN 10 PIN PLUG W/OUT ENDBELL
3	1	EA	G1501N186A3A	CONN BACKSHELL
4	1	EA	1350110-04	DUST CAP ASSY W/CHAIN(MALE18D)
5	1	EA	MS39056-3	CONN TELESCOPIC BUSHING
6	11	FT	CWT11943	CABLE 9 COND 22 AWG SHLD WHT
7	1	EA	MS3057-6A	CONN CABLE CLAMP

To be used for reference only

PRICE, PART NUMBER AND  
DESCRIPTION SUBJECT TO  
CHANGE WITHOUT NOTICE

Page 2 of 2

Property of Arc Machines, Inc.