

MODEL 79-3500

ILLUSTRATED PARTS BREAKDOWN MANUAL

To be used for reference only


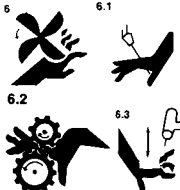

Property of Arc Machines, Inc.

**MODEL 79-3500
IPB Notice and Revision History**

This document and the information contained herein is the property of Arc Machines, Inc. It is proprietary and submitted and received in confidence. It shall be used only for the purpose for which it is submitted and shall not be copied in whole or in part without the prior express written permission of Arc Machines, Inc. The information in this document has been carefully reviewed and is believed to be accurate. However, no responsibility is assumed for inaccuracies. Information and part numbers in this document are subject to change and Arc Machines, Inc. reserves the right to change required data without notice.



The nature of the GTAW process creates some POTENTIAL HAZARDS. In accordance with international safety regulations the EXCLAMATION SYMBOL indicates that this equipment is considered HAZARDOUS. The LIGHTNING FLASH SYMBOL indicates that there are potential electrical hazards. The display of these symbols makes it the OPERATOR'S RESPONSIBILITY TO ENSURE THAT THEY HAVE BEEN MADE AWARE OF and shall observe the hazardous conditions.

	<p>WARNING: AMI factory training is essential for all Maintenance Technicians who operate AMI equipment. Do not operate or service this equipment without proper AMI approved training.</p>
	<p>WARNING: Keep hands and fingers clear from moving parts such as fans, gears, rotors, Wire Feed, Weld Head Travel, i.e. Oscillation (OSC) and Arc Voltage Control (AVC) mechanisms</p> <p>Weld Head AVC and Oscillator Slide Assemblies develop high forces and it is possible, by their nature of operation, to harm any object or body part that may get into these areas. USE EXTREME CAUTION!</p>
	<p>Electrical Shock Hazard: Always disconnect weld heads when servicing internal components or opening housing covers for access.</p>

All rights reserved.
Publication date: First Edition – September, 1 1993
Copyright 2007 by Arc Machines, Inc.

REV	DCO #	CHANGE DESCRIPTION	DATE	BY	APR
A	6224	Updated IPB 790700, added IPBs 950752 and 950768	25 APR 2012	JS	DC
B	6483	Updated IPB 950521, changed P/N of Item22; Added IPB 950521.	02/07/2013	LK	DC

To be used for reference only
Property of Arc Machines, Inc.

TABLE OF CONTENTS

DATE EFFECTIVITY: 16 DEC 1996
DATE REVISED: 25 APRIL 2012

PRODUCT MODEL: M79-3500
MANUAL NO: 730097

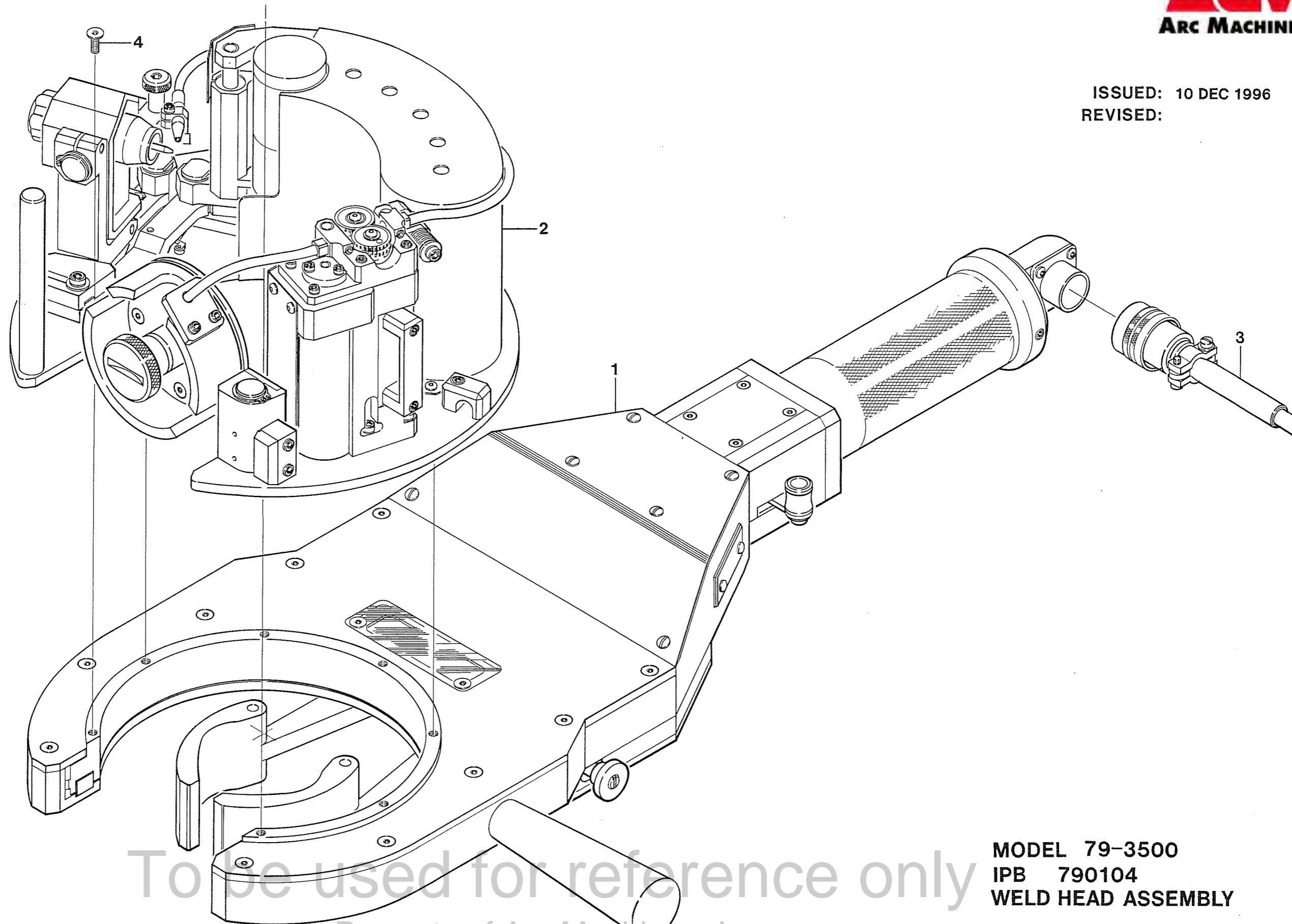
IPB NUMBER	DESCRIPTION
790104	WELD HEAD ASSEMBLY
950140	DRIVE/CLAMP ASSEMBLY
790105	TORCH PLATE ASSEMBLY
791300	DRIVE OSCILLATOR ASSEMBLY
950521	WIRE FEEDER ASSEMBLY
790700	TORCH ASSEMBLY
950768	CAP COLLET ASSEMBLY EXTENDED ELECTRODE
950752	GAS LENS ASSY QUARTZ CUP
950405	HOUSING WIRE SPOOL ASSEMBLY
950406	WIRE SPOOL HOLDER (4 INCH) ASSEMBLY
951205	AVC ASSEMBLY
950816	CABLE SERVICE ASSEMBLY
790805	CABLE CONTROL ASSEMBLY
950801	CABLE HANDLE ASSEMBLY

To be used for reference only

Property of Arc Machines, Inc.

THIS DOCUMENT OR DRAWING AND THE INFORMATION CONTAINED HEREIN IS THE PROPERTY OF ARC MACHINES, INC., IS PROPRIETARY, IS SUBMITTED AND RECEIVED IN CONFIDENCE, SHALL BE USED ONLY FOR THE PURPOSE FOR WHICH IT IS SUBMITTED AND SHALL NOT BE COPIED IN WHOLE OR IN PART WITHOUT THE PRIOR EXPRESS WRITTEN PERMISSION OF ARC MACHINES, INC.

ISSUED: 10 DEC 1996
REVISED:



To be used for reference only

Property of Arc Machines, Inc.

MODEL 79-3500
IPB 790104
WELD HEAD ASSEMBLY



IPB NUMBER: 790104
DATE EFFECTIVE: 17 Dec 1996
DATE REVISED: 17 Dec 1996

TO ORDER
USE PART NUMBER
DO NOT USE IPB
ITEM NUMBER

ARC MACHINES, INC.
PRODUCT MODEL: 79-3500
DESCRIPTION: WELD HEAD ASSEMBLY
MANUAL NUMBER: 730097
NOTES:

IPB ITEM NUMBER	QTY	U/M	PART NUMBER	DESCRIPTION
1	1	EA	13950140-02	DRIVE/CLAMP ASSY M79-3500
2	1	EA	13790105-01	TORCH PLATE ASSY M79-3500
3	1	EA	13950800-02	CABLE M95-3500 HANDLE 10 FT
4	4	EA	SFS06-32-0.37NP	SCREW FLH SKT 6-32 3/8 L

PRICE, PART NUMBER AND
DESCRIPTION SUBJECT TO
CHANGE WITHOUT NOTICE

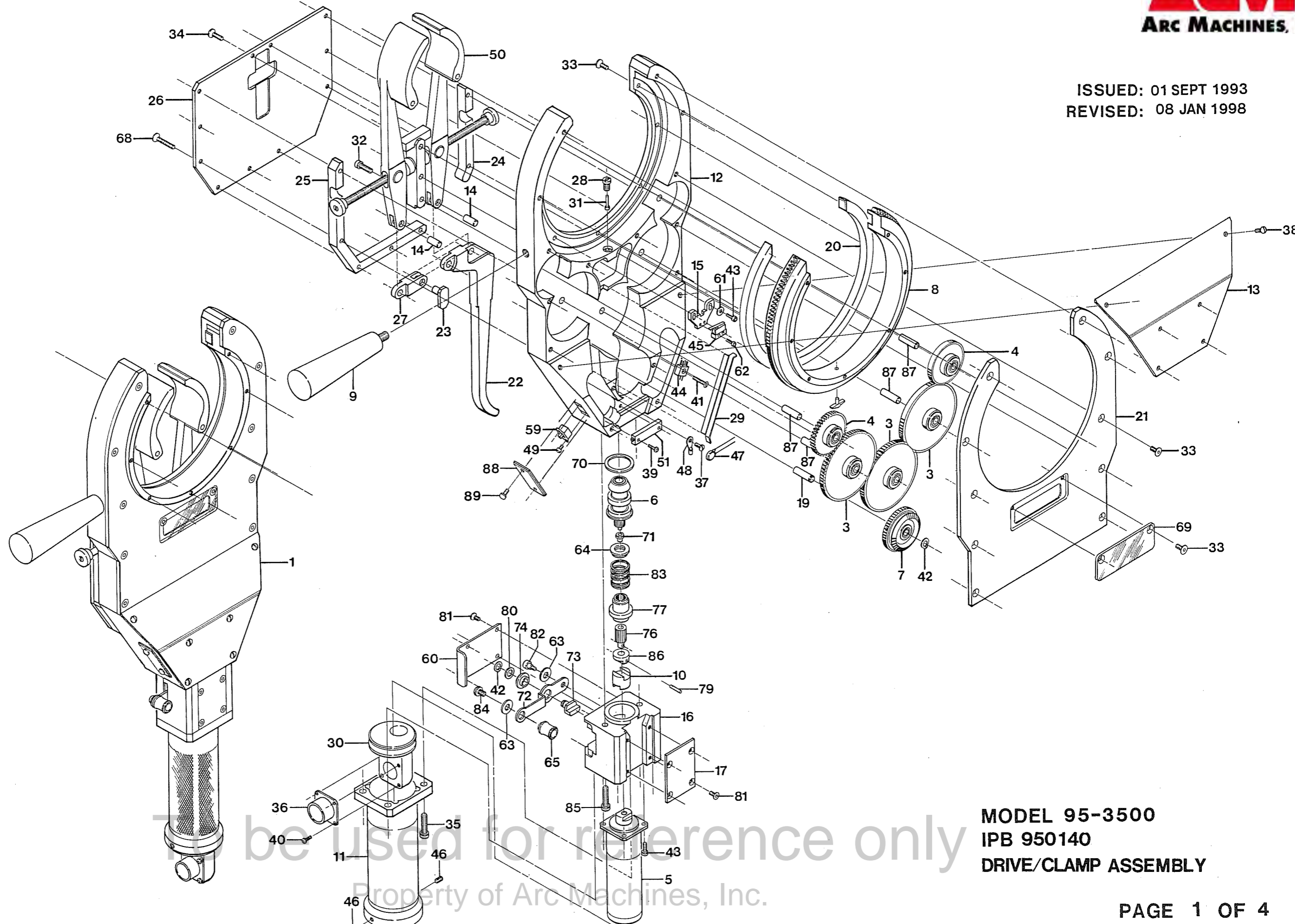
To be used for reference only

Property of Arc Machines, Inc.

THIS DOCUMENT OR DRAWING AND THE INFORMATION CONTAINED HEREIN IS THE PROPERTY OF ARC MACHINES, INC., IS PROPRIETARY, IS SUBMITTED AND RECEIVED IN CONFIDENCE, SHALL BE USED ONLY FOR THE PURPOSE FOR WHICH IT IS SUBMITTED AND SHALL NOT BE COPIED IN WHOLE OR IN PART WITHOUT THE PRIOR EXPRESS WRITTEN PERMISSION OF ARC MACHINES, INC.



ISSUED: 01 SEPT 1993
REVISED: 08 JAN 1998



MODEL 95-3500
IPB 950140
DRIVE/CLAMP ASSEMBLY



IPB NUMBER: 950140

TO ORDER
USE PART NUMBER
DO NOT USE IPB
ITEM NUMBER

ARC MACHINES, INC.

DATE EFFECTIVE: 17 Dec 1996
DATE REVISED: 8 Jan 1998

PRODUCT MODEL: 79-3500
DESCRIPTION: DRIVE/CLAMP ASSEMBLY
MANUAL NUMBER: 730097
NOTES:

IPB ITEM NUMBER	QTY	U/M	PART NUMBER	DESCRIPTION
1	1	EA	13950140-02	DRIVE/CLAMP ASSY M79-3500
3	3	EA	13950615-01	GEAR IDLER ASSY M95-3500
4	2	EA	13950615-02	GEAR DRIVE ASSY M95-3500
5	1	EA	13950617-01	MOTOR ASSY DRIVE M95-3500
6	1	EA	13950614-01	PINION/BRG CLUTCH -2375/-3500
7	1	EA	13950616-01	GEAR BEVEL M95-3500
8	1	EA	13790704-01	ROTOR M79-3500
9	1	EA	13900105-01	HANDLE
10	1	EA	42950606-04	COUPLING INSULATING M95-3500
11	1	EA	42950100-01	COVER MOTOR DRIVE
12	1	EA	42950141-01	HOUSING MAIN M95-3500
13	1	EA	42950142-05	COVER COMPONENT ELEC M79-3500
14	2	EA	42950102-02	SHAFT PIVOT CLAMP
15	1	EA	42950102-03	PLATE MTG LIMIT SWITCH
16	1	EA	42950607-01	HOUSING DRIVE CLUTCH
17	1	EA	42950608-02	COVER WIRING CLUTCH HSG
18	1	EA	-	-----
19	1	EA	42950602-03	SHAFT GEAR BEVEL
20	1	EA	42950726-01	GUIDE RING ROTOR M95-3500
21	1	EA	42950728-01	PLATE ROTOR RETAINING M95-3500
22	1	EA	42950919-04	HANDLE CLAMP M95-3500
23	1	EA	42950904-04	SLIDE PIVOT SHAFT
24	1	EA	42950919-01	SPACER COVER RH M95-3500
25	1	EA	42950919-02	SPACER COVER LH M95-3500
26	1	EA	42950918-01	RETAINER PL CLAMP ARM M95-3500
27	1	EA	42950919-03	LINK CLAMP ARM M95-3500
28	1	EA	42090704-01	BUSHING PUSH ROD
29	1	EA	42950142-02	CHANNEL WIRE M95-3500
30	1	EA	42950136-02	PLATE CONNECTOR MTG
31	1	EA	42090704-02	PUSH ROD LIMIT SW
32	3	EA	SCS08-32-0.43NP	SCREW CAP SKT 8-32 7/16 L
33	19	EA	SFS06-32-0.31NP	SCREW FLH SKT 6-32 5/16 L
34	2	EA	SFS06-32-0.37NP	SCREW FLH SKT 6-32 3/8 L
35	4	EA	SCS10-32-0.75NP	SCREW CAP SKT 10-32 3/4 L
36	1	EA	MS3112E12-10P	CONN RCPT BOX MTG SIZE 12 10P
37	1	EA	SIL04-40-0.25NP	SCREW BDH SLT 4-40 1/4 L
38	6	EA	SIL06-32-0.25NP	SCREW BDH SLT 6-32 1/4 L

PRICE, PART NUMBER AND
DESCRIPTION SUBJECT TO
CHANGE WITHOUT NOTICE

To be used for reference only

Property of Arc Machines, Inc.



IPB NUMBER: 950140

TO ORDER

ARC MACHINES, INC.

USE PART NUMBER

DATE EFFECTIVE: 17 Dec 1996

DO NOT USE IPB

PRODUCT MODEL: 79-3500

DATE REVISED: 8 Jan 1998

ITEM NUMBER

DESCRIPTION: DRIVE/CLAMP ASSEMBLY

MANUAL NUMBER: 730097

NOTES:

IPB ITEM NUMBER	QTY	U/M	PART NUMBER	DESCRIPTION
39	2	EA	SIL02-56-0.31NP	SCREW BDH SLT 2-56 1/4 L
40	4	EA	SBS04-40-0.37NP	SCREW BTH SKT 4-40 3/8 L
41	2	EA	SFL02-56-0.62NP	SCREW FLH SLT 2-56 5/8 L
42	2	EA	5100-25-H	RTNG RING BASIC EXT 1/4 SHAFT
43	6	EA	SCS04-40-0.31NP	SCREW CAP SKT 4-40 5/16 L
44	1	EA	JF2P2SCD	CONN 4 PIN PLUG MINIATURE
45	1	EA	MMGGD1L2C	SWITCH LIMIT LEAF LOW MOTION
46	2	EA	SSS10-32-25NPCU	SCREW SET SKT 10-32 1/4 CUPT
47	1	EA	V120ZA1	VARISTOR
48	1	EA	B-3198	TERM WALDOM
49	2	EA	SCS02-56-0.12NP	SCREW CAP SKT 2-56 1/8 L
50	1	EA	13950903-01	CLAMP JAW ASSY M95-3500
51	1	EA	13950102-01	POT TRIM M95 CALIBRATION
52	1	EA	-	-----
59	1	EA	SLS-120	SWITCH MINI SPDT SLIDE
60	1	EA	42950608-01	COVER ARM CLUTCH DRIVE
61	2	EA	W04ZP-FL	WASHER FLAT #4
62	2	EA	SCS02-56-0.31NP	SCREW CAP SKT 2-56 5/16 L
63	2	EA	W10ZP-FL	WASHER FL #10
64	1	EA	42950608-03	SPACER SPRING CLUTCH
65	1	EA	42950609-05	KNOB ARM CLUTCH
68	9	EA	SFS06-32-0.75NP	SCREW FLH SKT 6-32 3/4 L
69	1	EA	42950142-03	WINDOW LIMIT SWITCH
70	1	EA	42950609-04	SPACER PINION .87ID 1.03D .063
71	1	EA	42950608-05	BEARING THRUST .12ID .19OD .25
72	1	EA	42950608-08	ARM CLUTCH
73	1	EA	42950608-07	ACTUATOR CLUTCH
74	1	EA	42950608-06	BEARING THRUST FLG MODEL 95
75	1	EA	-	-----
76	1	EA	42950609-02	SPLINE EXTERNAL SLIDING
77	1	EA	42950609-03	SPLINE INTERNAL SLIDING
78	1	EA	-	-----
79	1	EA	PD06-0.50SS	PIN DOWEL 1/16D 1/2L SST
80	1	EA	5710-60-30	WASHER FL .25ID .50D .030T SST
81	8	EA	SFS04-40-0.25NP	SCREW FLH SKT 4-40 1/4 L
82	1	EA	44D15	SCREW SHLDR 8-32 3/16D .12L
83	1	EA	Z-41	SPRING CPRSN .69D 1.25L .054W

PRICE, PART NUMBER AND
DESCRIPTION SUBJECT TO
CHANGE WITHOUT NOTICE

To be used for reference only

Property of Arc Machines, Inc.



IPB NUMBER: 950140

TO ORDER
USE PART NUMBER
DO NOT USE IPB
ITEM NUMBER

ARC MACHINES, INC.

DATE EFFECTIVE: 17 Dec 1996
DATE REVISED: 8 Jan 1998

PRODUCT MODEL: 79-3500
DESCRIPTION: DRIVE/CLAMP ASSEMBLY
MANUAL NUMBER: 730097
NOTES:

IPB ITEM NUMBER	QTY	U/M	PART NUMBER	DESCRIPTION
84	1	EA	SBS10-32-0.25NP	SCREW BTH SKT 10-32 1/4 L
85	2	EA	SCS10-32-1.00NP	SCREW CAP SKT 10-32 1.00 L
86	1	EA	42950609-07	COUPLING DRIVE
87	5	EA	42950602-04	SHAFT GEAR IDLER
88	1	EA	42950142-04	COVER RETURN SWITCH
89	2	EA	SBS04-40-0.25NP	SCREW BTH SKT 4-40 1/4 L

PRICE, PART NUMBER AND
DESCRIPTION SUBJECT TO
CHANGE WITHOUT NOTICE

Page 4 of 4

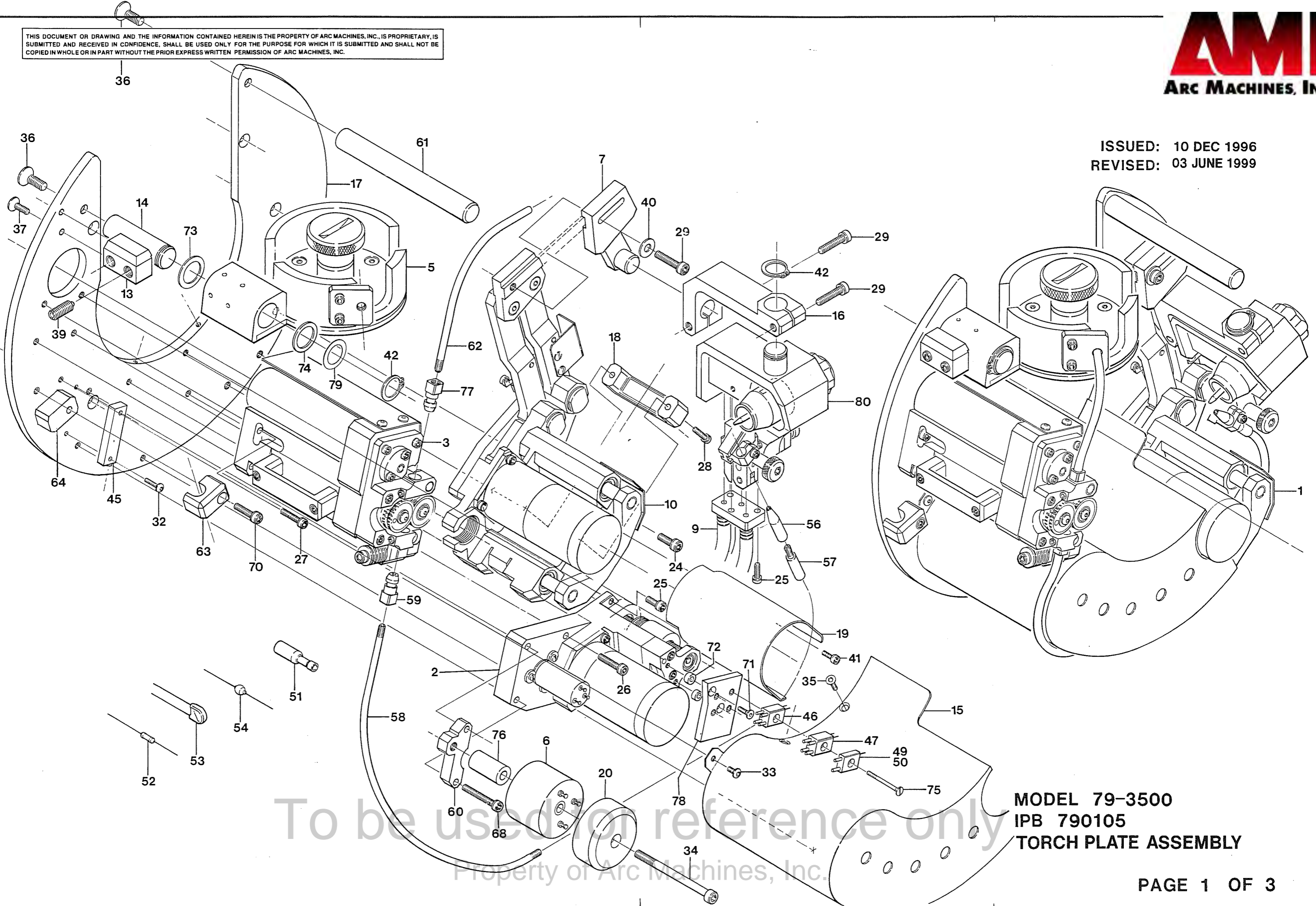
To be used for reference only

Property of Arc Machines, Inc.

THIS DOCUMENT OR DRAWING AND THE INFORMATION CONTAINED HEREIN IS THE PROPERTY OF ARC MACHINES, INC., IS PROPRIETARY, IS SUBMITTED AND RECEIVED IN CONFIDENCE, SHALL BE USED ONLY FOR THE PURPOSE FOR WHICH IT IS SUBMITTED AND SHALL NOT BE COPIED IN WHOLE OR IN PART WITHOUT THE PRIOR EXPRESS WRITTEN PERMISSION OF ARC MACHINES, INC.



ISSUED: 10 DEC 1996
REVISED: 03 JUNE 1999



To be used for reference only
Property of Arc Machines, Inc.

MODEL 79-3500
IPB 790105
TORCH PLATE ASSEMBLY



IPB NUMBER: 790105

TO ORDER
USE PART NUMBER
DO NOT USE IPB
ITEM NUMBER

ARC MACHINES, INC.

DATE EFFECTIVE: 13 Jul 1993
DATE REVISED: 5 Sep 2001

PRODUCT MODEL: 79-3500
DESCRIPTION: TORCH PLATE ASSEMBLY
MANUAL NUMBER: 730097
NOTES:

IPB ITEM NUMBER	QTY	U/M	PART NUMBER	DESCRIPTION
1	1	EA	13790105-01	TORCH PLATE ASSY M79-3500
2	1	EA	13951300-01	DRIVE ASSY OSC M79-3500
3	1	EA	13950521-01	WIRE FEEDER ON BOARD M95-35AVC
5	1	EA	13950405-01	HOUSING WIRE SPOOL ASSY
6	1	EA	135635-01	CHOKE RF ASSY M94 1.2 IN DIA
7	1	EA	13951204-01	TORCH PIVOT PLATE M95-35 AVC
9	1	EA	13950816-01	CABLE SERVICE M95-35 AVC
10	1	EA	13951205-01	AVC ASSY M95-35 AVC
11	1	EA	13950819-01	CABLE ADPTR Y CONN M-95-35 AVC
12	0	-	-	-----
13	1	EA	42950407-01	RETAINER PLUNGER SCREW
14	1	EA	42950407-02	SHAFT SPOOL MTG
15	1	EA	42950158-01	COVER AVC/OSC
16	1	EA	42951205-01	BRACKET IN/OUT ADJUST
17	1	EA	42790102-01	TURNTABLE
18	1	EA	42951210-01	CLAMP CABLE TOP
19	1	EA	42791300-01	COVER MOTOR OSC
20	1	EA	42951303-02	COVER CHOKE
22	0	-	-	-----
24	3	EA	SCS06-32-0.43NP	SCREW CAP SKT 6-32 7/16 L
25	5	EA	SCS04-40-0.31NP	SCREW CAP SKT 4-40 5/16 L
26	1	EA	SCS04-40-0.62NP	SCREW CAP SKT 4-40 5/8 L
27	4	EA	SCS04-40-0.43NP	SCREW CAP SKT 4-40 7/16 L
28	6	EA	SCS04-40-0.50NP	SCREW CAP SKT 4-40 1/2 L
29	3	EA	SCS06-32-0.62NP	SCREW CAP SKT 6-32 5/8 L
31	0	-	-	-----
32	2	EA	SBS02-56-0.37NP	SCREW BTH SKT 2-56 3/8 L
33	2	EA	SBS04-40-0.18NP	SCREW BTH SKT 4-40 3/16 L
34	1	EA	SCS08-32-2.00NY	SCREW CAP SKT 8-32 2.00 L
35	2	EA	SFS02-56-0.25NP	SCREW FLH SKT 2-56 1/4 L
36	2	EA	SFS10-32-0.50NP	SCREW FLH SKT 10-32 1/2 L
37	2	EA	SFS04-40-0.37NP	SCREW FLH SKT 4-40 3/8 L
38	0	-	-	-----
39	2	EA	ADB-50875	PLUNGER SPRING 1/4-20 .531 L
40	1	EA	DY76	WASHER FL .14 ID .37 D .031 T
41	2	EA	SCS02-56-0.18NP	SCREW CAP SKT 2-56 3/16 L
42	2	EA	5100-50-H	RTNG RING BASIC EXT 1/2 SHAFT

PRICE, PART NUMBER AND
DESCRIPTION SUBJECT TO
CHANGE WITHOUT NOTICE

To be used for reference only

Property of Arc Machines, Inc.



IPB NUMBER: 790105

TO ORDER
USE PART NUMBER
DO NOT USE IPB
ITEM NUMBER

ARC MACHINES, INC.

DATE EFFECTIVE: 13 Jul 1993
DATE REVISED: 5 Sep 2001

PRODUCT MODEL: 79-3500
DESCRIPTION: TORCH PLATE ASSEMBLY
MANUAL NUMBER: 730097
NOTES:

IPB ITEM NUMBER	QTY	U/M	PART NUMBER	DESCRIPTION
45	1	EA	3057L-1-103	POT TRIM 10K OHM 1.25L
46	6	EA	JF2P2SCD	CONN 4 PIN PLUG MINIATURE
47	6	EA	JF2S2PCD	CONN 4 SOCKET RECEPTACLE MINTR
49	1	EA	JF1P1SB	CONN MINTR 2 PIN PLUG
50	3	EA	JF1S1PB	CONN MINTR 2 SKT RCPT
51	1	EA	T-2657	TERM BULLET RCPT 22-18AWG INSU
52	2	EA	RN55D5111F	RES 0.25W 5.11K 1%
53	1	EA	V130LA10A	VARISTOR 130V 10 AMP
54	2	EA	1N5062	DIODE GLASS PASSIVATED
56	1	EA	420607126-06	NOZZLE WIRE .040 DIA/#6-32
57	1	EA	42150758-03	NOZZLE EXTENSION .844L
58	1	EA	42060532-14	WIRE GUIDE LOWER 13.50 LG
59	1	EA	42890100-04	RETAINER LINER
60	1	EA	42950166-04	PLATE MTG CHOKE
61	1	EA	42950166-01	SUPPORT CABLE
62	1	EA	42950407-03	CONDUIT WIRE
63	1	EA	42950166-03	CLAMP CABLE CONTROL
64	1	EA	42950166-05	SPACER
68	2	EA	SCS04-40-0.87NP	SCREW CAP SKT 4-40 7/8 L
69	1	EA	15TSP023	SPACER NYL 3/8D 1/2L 10-32 THD
70	1	EA	SCS06-32-0.50NP	SCREW CAP SKT 6-32 1/2 L
71	2	EA	SFS02-56-0.50NP	SCREW FLH SKT 2-56 1/2 L
72	2	EA	DB4D10	SPACER SHAFT .12ID .18D .094T
73	1	EA	42950406-03	WASHER FRICTION M95 WIRE SPOOL
74	2	EA	2720	SPACER SHAFT .50ID .75D .031T
75	4	EA	SFS02-56-0.87NP	SCREW FLH SKT 2-56 7/8L
76	1	EA	4032	SPACER NYLON 1/4 OD
77	1	EA	42810103-02	FTG END
78	1	EA	42950166-02	PLATE CONNECTOR MTG
79	1	EA	W0734-009-S	SPRING WAVE WASHER
80	1	EA	13790700-01	TORCH M79-6625 ASSY

PRICE, PART NUMBER AND
DESCRIPTION SUBJECT TO
CHANGE WITHOUT NOTICE

Page 3 of 3

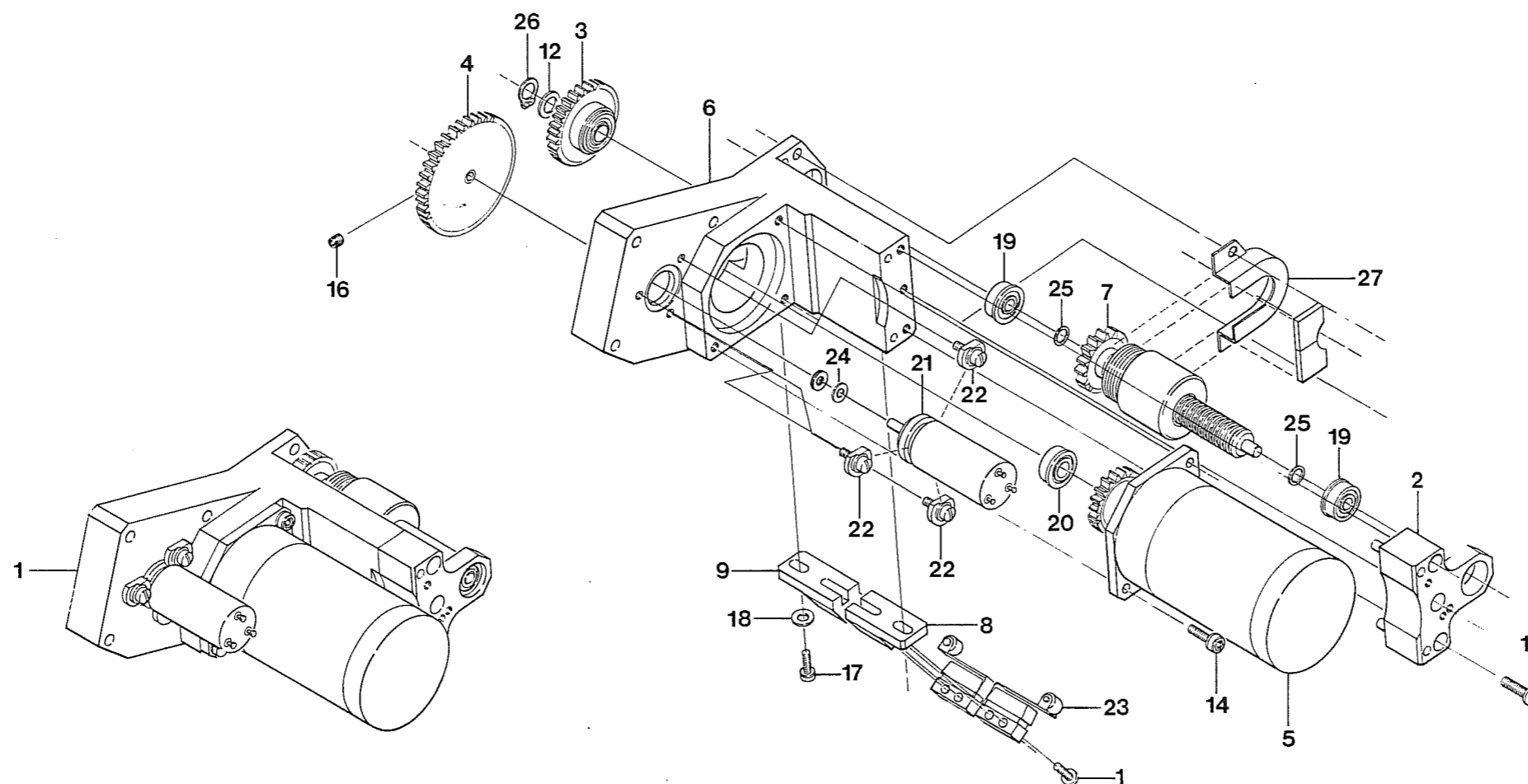
To be used for reference only

Property of Arc Machines, Inc.

THIS DOCUMENT OR DRAWING AND THE INFORMATION CONTAINED HEREIN IS THE PROPERTY OF ARC MACHINES, INC., IS PROPRIETARY, IS SUBMITTED AND RECEIVED IN CONFIDENCE, SHALL BE USED ONLY FOR THE PURPOSE FOR WHICH IT IS SUBMITTED AND SHALL NOT BE COPIED IN WHOLE OR IN PART WITHOUT THE PRIOR EXPRESS WRITTEN PERMISSION OF ARC MACHINES, INC.



ISSUED: 29 AUG 1995
REVISED: 03 JUNE 1999



To be used for reference only

Property of Arc Machines, Inc.

MODEL 79-3500
IPB 791300
DRIVE OSCILLATOR ASSEMBLY



IPB NUMBER: 791300

TO ORDER

ARC MACHINES, INC.

DATE EFFECTIVE: 3 Jun 1999

USE PART NUMBER

PRODUCT MODEL: 79-3500

DATE REVISED: 3 Jun 1999

DO NOT USE IPB

DESCRIPTION: DRIVE OSCILLATOR ASSEMBLY

ITEM NUMBER

MANUAL NUMBER: 730097

NOTES:

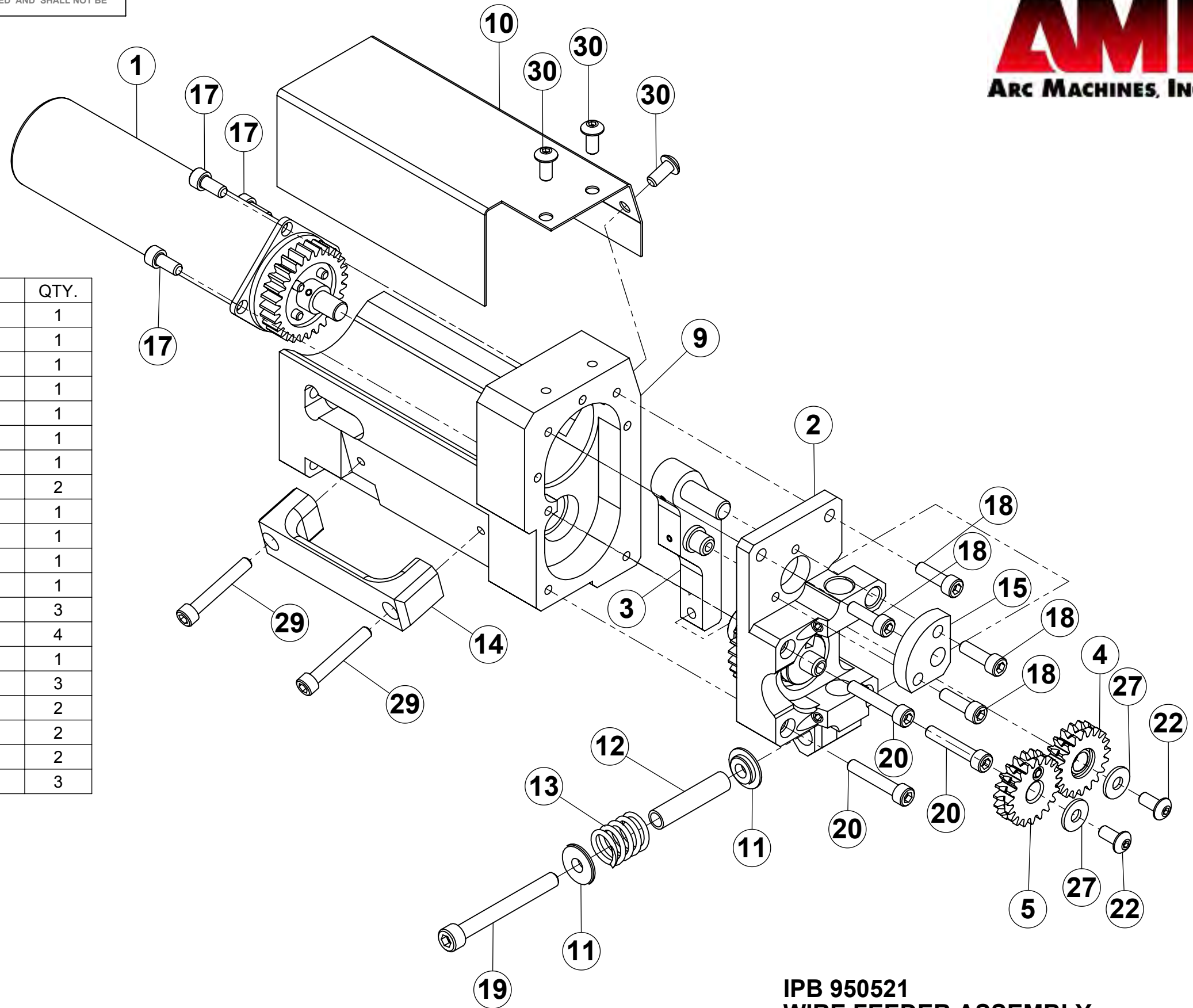
IPB ITEM NUMBER	QTY	U/M	PART NUMBER	DESCRIPTION	
1	1	EA	13951300-01	DRIVE ASSY OSC M79-3500	
2	1	EA	13951302-01	PLATE TOP ASSY OSC M79-3500	
3	1	EA	13951303-01	GEAR IDLER ASSY OSC M95-35 AVC	
4	1	EA	13951304-01	GEAR DRIVE POT ASSY M95-35 AVC	
5	1	EA	13951305-01	MOTOR ASSY OSC M79-3500	
6	1	EA	13791304-01	FRAME OSC ASSY M79-3500	
7	1	EA	13951301-01	BALL SCREW ASSY M95-35 AVC	
8	1	EA	42791305-01	BRACKET LIMIT SWITCH OSC UPPER	M79-3500
9	1	EA	42791305-02	BRACKET LIMIT SWITCH OSC LOWER	M79-3500
12	1	EA	DB6D8	SPACER SHAFT .18ID .25D .031T	
13	3	EA	SCS04-40-0.37NP	SCREW CAP SKT 4-40 3/8 L	
14	3	EA	SCS04-40-0.31NP	SCREW CAP SKT 4-40 5/16 L	
15	4	EA	SBS02-56-0.37NP	SCREW BTH SKT 2-56 3/8 L	
16	1	EA	SSS02-56-12NPCU	SCREW SET SKT 2-56 1/8 L CUPT	
17	2	EA	5710-138-16	WASHER FLAT .12ID .21D .016T	
18	2	EA	SCS04-40-0.25NP	SCREW CAP SKT 4-40 1/4 L	
19	2	EA	SSRF-2LLRA3P2	BRG BALL .18 .37 .156W [5LY15]	FLANGED
20	1	EA	SSRIF-6632LLR	BRG BALL .18 .37 [A3P25LY15]	FLANGED
21	1	EA	164-21-103	POT 10 TURN 10K OHM SERVO MTG	
22	3	EA	DL320T	CLEAT MOTOR MOUNT .031 CL 2-56	
23	2	EA	MMGGD1W2C	SWITCH LIMIT LEAF ROLLER	
24	3	EA	DB6D22	SPACER SHAFT .09ID .20D .016T	
25	2	EA	DB4D7	SPACER SHAFT .12ID .18D .016T	
26	1	EA	5100-18-C	RTNG RING BASIC EXT 3/16 SHAFT	(BERYLLIUM COPPER)
27	1	EA	13791302-01	SHIELD GEAR ASSY	

PRICE, PART NUMBER AND
DESCRIPTION SUBJECT TO
CHANGE WITHOUT NOTICE

Page 2 of 2

To be used for reference only

Property of Arc Machines, Inc.



ITEM NO.	PART NUMBER	DESCRIPTION	QTY.
1	13950522-01	MOTOR WIRE FEEDER ASSY	1
2	13950520-01	GEAR HSG W/FEEDER ASSY	1
3	13950515-01	ARM WIRE FEEDER ASSY	1
4	13810507-01	GEAR IDLER WIRE FEEDER	1
5	13810506-01	GEAR WIRE FEEDER	1
9	42950527-01	HOUSING WIRE FEEDER	1
10	42950528-01	COVER MOTOR WIRE FEEDER	1
11	42950522-03	WASHER SHLDR	2
12	42950522-04	SLEEVE STOP	1
13	42810502-06	SPRING	1
14	42951210-01	CLAMP CABLE	1
15	42950528-02	BEARING MOTOR WIRE FEEDER	1
17	SCS04-40-0,25NP	SCREW CAP SKT 4-40 1/4 L	3
18	SCS04-40-0,37NP	SCREW CAP SKT 4-40 3/8 L	4
19	SCS06-32-1,25NP	SCREW CAP SKT 6-32 1-1/4 L	1
20	SCS04-40-0,62NP	SCREW CAP SKT 4-40 5/8 L	3
22	SRS04-40-0,25NP	SCREW RHD SKT 4-40 1/4L	2
27	DY74	WASHER FL .12 ID .31 D .031 T	2
29	SCS04-40-0,75NP	SCREW CAP SKT 4-40 3/4 L	2
30	SBS04-40-0,25SS	SCREW BTH SKT 4-40 1/4 L SST	3

IPB 950521
WIRE FEEDER ASSEMBLY

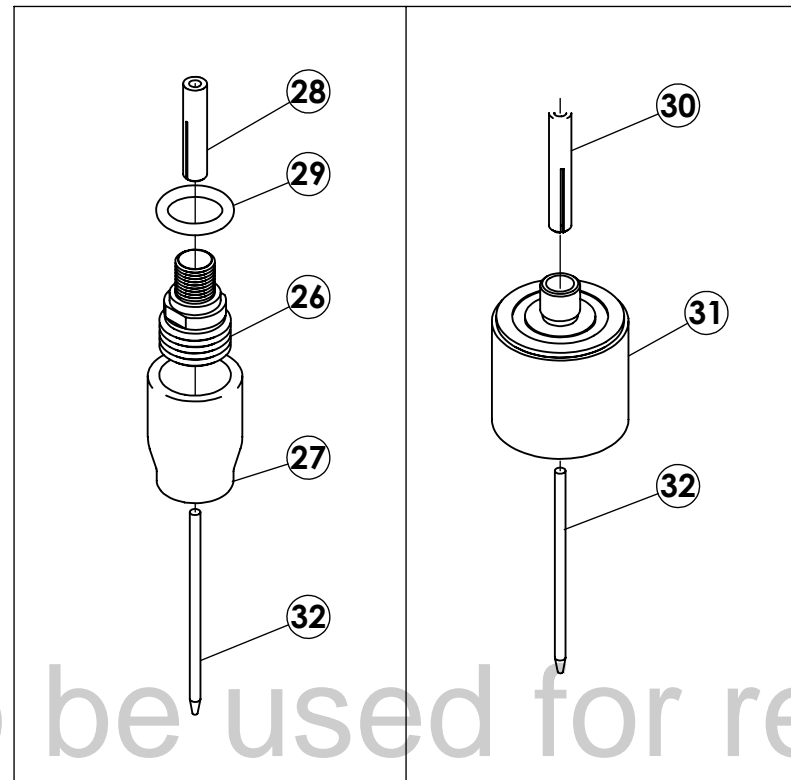
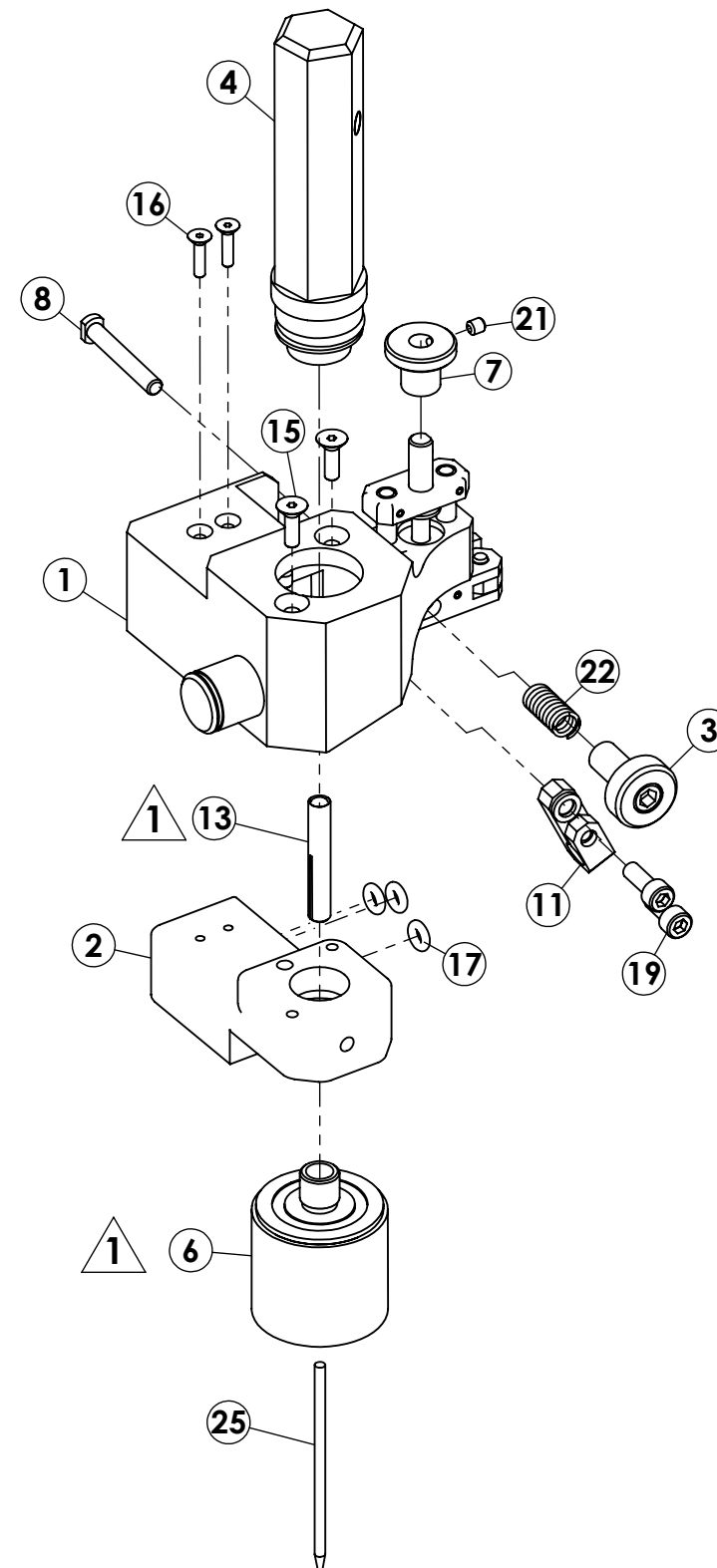
ISSUED: 12/30/2009
REVISED: 02/07/2013

To be used for reference only

Property of Arc Machines, Inc.

TO ORDER USE PART NUMBER.
PRICE, PART NUMBER AND DESCRIPTION
SUBJECT TO CHANGE WITHOUT NOTICE.

ITEM NO.	PART NUMBER	DESCRIPTION	QTY.
1	13790701-01	SLIDE VERTICAL ASSY M79-6625	1
2	13950753-01	BODY TORCH BRZD ASSY M95-35AVC	1
3	13950746-01	KNOB ADJUST BRAZED ASSY	1
4	13950768-01	CAP COLLET ASSY EXTEND. ELECTRODE	1
6	13950752-02	GAS LENS ASSY QUARTZ CUP .125	1
7	42950761-02	KNOB ADJUST VERTICAL	1
8	42790701-04	SCREW CROSS SEAM ADJUST	1
11	42790701-02	COLLET TORCH .125 X 1.11 LONG	1
13	42950765-05	COLLET TORCH .125 X 1.11 LONG	1
15	SFS04-40-0,37NP	SCREW FLH SKT 4-40 3/8 L	2
16	SFS02-56-0,37NP	SCREW, FLH, SKT, 2-56, 3/8 LG	2
17	2-006-S604-70	O RING .114 ID .070W SILICONE	3
18	SCS06-32-0,37NP	SCREW CAP SKT 6-32 3/8L	1
19	SCS06-32-0,31NP	SCREW CAP SKT 6-32 5/16 L	1
21	SSS04-40-12NPCU	SCREW SET SKT 4-40 1/8 L CUPT	1
22	O-112	SPRING CPRSN .37D .50L .055W	1
24	DY105	WASHER LOCK INT TOOTH #6	1
25	TUNGSTEN .093 DIA	REF.	1
26	42061108-02	GAS LENS .094	1
27	53N61	GAS CUP HW-20 #7 STD	1
28	13N23	COLLET TORCH .094 X .95 L	1
29	RO0394-118-60SLR	O RING .394 ID .118 W SIL	1
30	42950765-04	COLLET TORCH .125 X 1.11 LONG	1
31	13950752-02	GAS LENS ASSTY QUARTZ CUP .125	1
32	TUNGSTEN .093 DIA	REF.	1



MODEL 79-6625
 IPB 790700
 TORCH ASSEMBLY

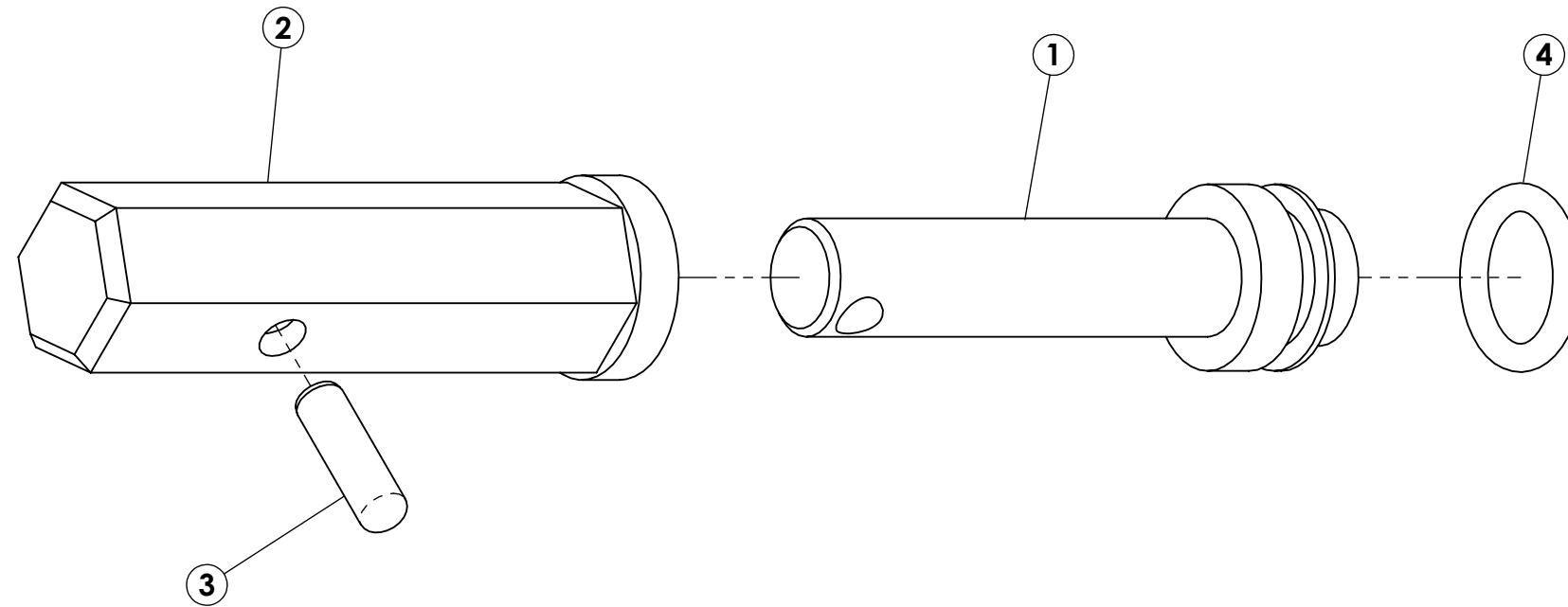
ISSUED: 27 OCT 1997
 REVISED: 25 APR 2012

To be used for reference only

TO ORDER USE PART NUMBER.
 PRICE, PART NUMBER AND DESCRIPTION
 SUBJECT TO CHANGE WITHOUT NOTICE.

Property of Arc Machines, Inc.

1 ITEM OPTIONS



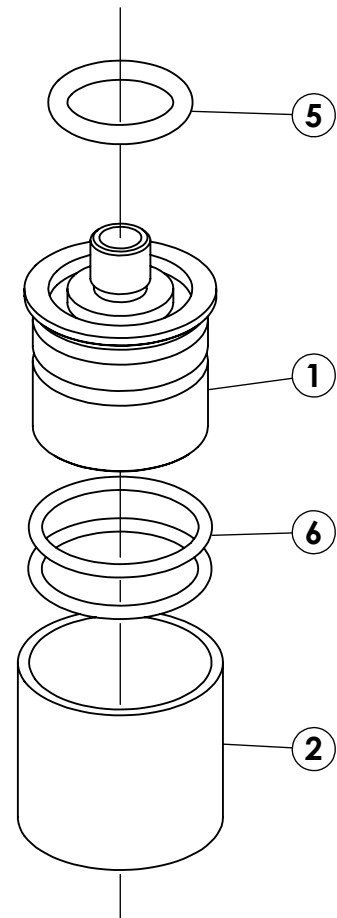
ITEM NO.	PART NUMBER	DESCRIPTION	QTY.
1	42950777-01	RETAINER COLLAR TUNGSTEN FOR EXT.ELECTRODE	1
2	421507494-02	HANDLE CAP GAS	1
3	PD18-0,62G10	PIN, DOWEL 3/16D 5/8L G-10	1
4	2-112-S604-70	O-RING .487ID .103W 60 SIL	1

MODEL 95
 IPB 950768
 CAP COLLET ASSY EXTENDED
 ELECTRODE STYLE

ISSUED: 17 APR 2012
 REVISED:

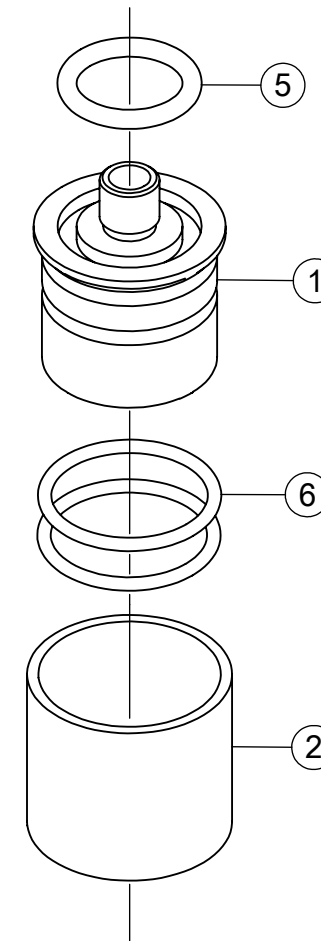
To be used for reference only

Property of Arc Machines, Inc.



ITEM NO.	PART NUMBER	DESCRIPTION	QTY.
1	42950765-01	GAS LENS HW-27 .094 FOR QUARTZ CUP	1
2	42950765-03	GAS CUP QUARTZ .94L X 0.945 ID X 1.063 OD	1
5	2-113-S613-60	O RING .549 ID .103 W SIL	1
6	2-019-V747-75	O RING .801 ID .070 W VITON	2

950752(-01)



ITEM NO.	PART NUMBER	DESCRIPTION	QTY.
1	42950765-02	GAS LENS HW-27 .125 FOR QUARTZ CUP	1
2	42950765-03	GAS CUP QUARTZ .94L X 0.945 ID X 1.063 OD	1
5	2-113-S613-60	O RING .549 ID .103 W SIL	1
6	2-019-V747-75	O RING .801 ID .070 W VITON	2

950752(-02)

MODEL 95-4500

IPB 950752 (-01)
GAS LENS QUARTZ CUP ASSEMBLY .125

IPB 950752 (-02)
GAS LENS QUARTZ CUP ASSEMBLY .094

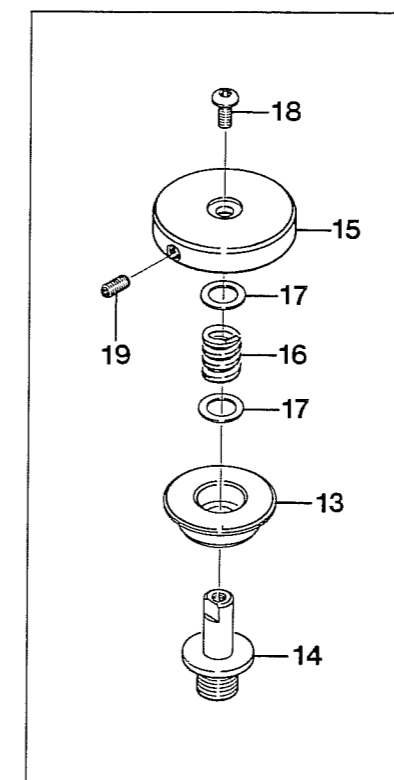
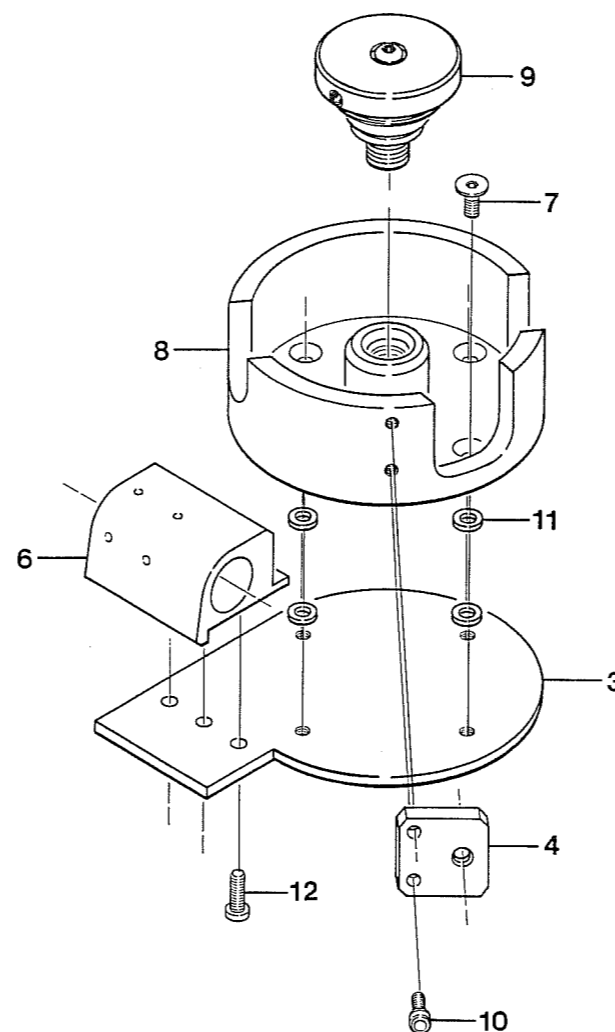
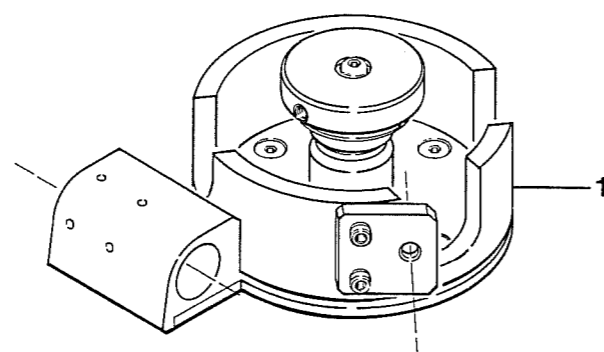
ISSUED: 21 JAN 2004
REVISED: 17 APR 2012

To be used for reference only

Property of Arc Machines, Inc.

THIS DOCUMENT OR DRAWING AND THE INFORMATION CONTAINED HEREIN IS THE PROPERTY OF ARC MACHINES, INC., IS PROPRIETARY, IS SUBMITTED AND RECEIVED IN CONFIDENCE, SHALL BE USED ONLY FOR THE PURPOSE FOR WHICH IT IS SUBMITTED AND SHALL NOT BE COPIED IN WHOLE OR IN PART WITHOUT THE PRIOR EXPRESS WRITTEN PERMISSION OF ARC MACHINES, INC.

ISSUED: 10 DEC 1996
REVISED: 02 SEPT 1998



ITEM 9 COMPONENTS

To be used for reference only

Property of Arc Machines, Inc.

MODEL 79-3500
IPB 950405
HOUSING WIRE SPOOL ASSEMBLY



IPB NUMBER: 950405

TO ORDER
USE PART NUMBER

ARC MACHINES, INC.

DATE EFFECTIVE: 17 Dec 1996

DO NOT USE IPB

PRODUCT MODEL: 79-3500

DATE REVISED: 2 Sep 1998

ITEM NUMBER

DESCRIPTION: HOUSING WIRE SPOOL ASSY

MANUAL NUMBER: 730097

NOTES:

IPB ITEM NUMBER	QTY	U/M	PART NUMBER	DESCRIPTION
1	1	EA	13950405-01	HOUSING WIRE SPOOL ASSY
3	1	EA	42950406-01	BRACKET HOUSING SUPPORT
4	1	EA	42950406-04	RETAINER GUIDE WIRE
6	1	EA	42950406-02	BLOCK PIVOT
7	4	EA	SFS04-40-0.25SS	SCREW FLH SKT 4-40 1/4 L SST
8	1	EA	42950405-01	HOLDER WIRE SPOOL
9	1	EA	13810423-01	RETAINER WIRE SPOOL ASSY
10	2	EA	SCS04-40-0.31SS	SCREW CAP SKT 4-40 5/16 L SST
11	4	EA	W04ZP-FL	WASHER FLAT #4
12	3	EA	SFP06-32-0.37NP	SCREW FLH PHL 6-32 3/8 L
13	1	EA	42810410-01	RETAINER WIRE SPOOL
14	1	EA	42810410-02	SCREW RETAINER WIRE SPOOL
15	1	EA	42810410-03	KNOB RETAINER WIRE SPOOL
16	1	EA	I-15	SPRING CPRSN .36D .44L .040W
17	2	EA	DB8D3	SPACER SHAFT .25ID .37D .008T
18	1	EA	SBS06-32-0.25NP	SCREW BTH SKT 6-32 1/4 L
19	1	EA	SSS04-40-25NPCU	SCREW SET SCT 4-40 1/4 L CUPT

PRICE, PART NUMBER AND
DESCRIPTION SUBJECT TO
CHANGE WITHOUT NOTICE

Page 2 of 2

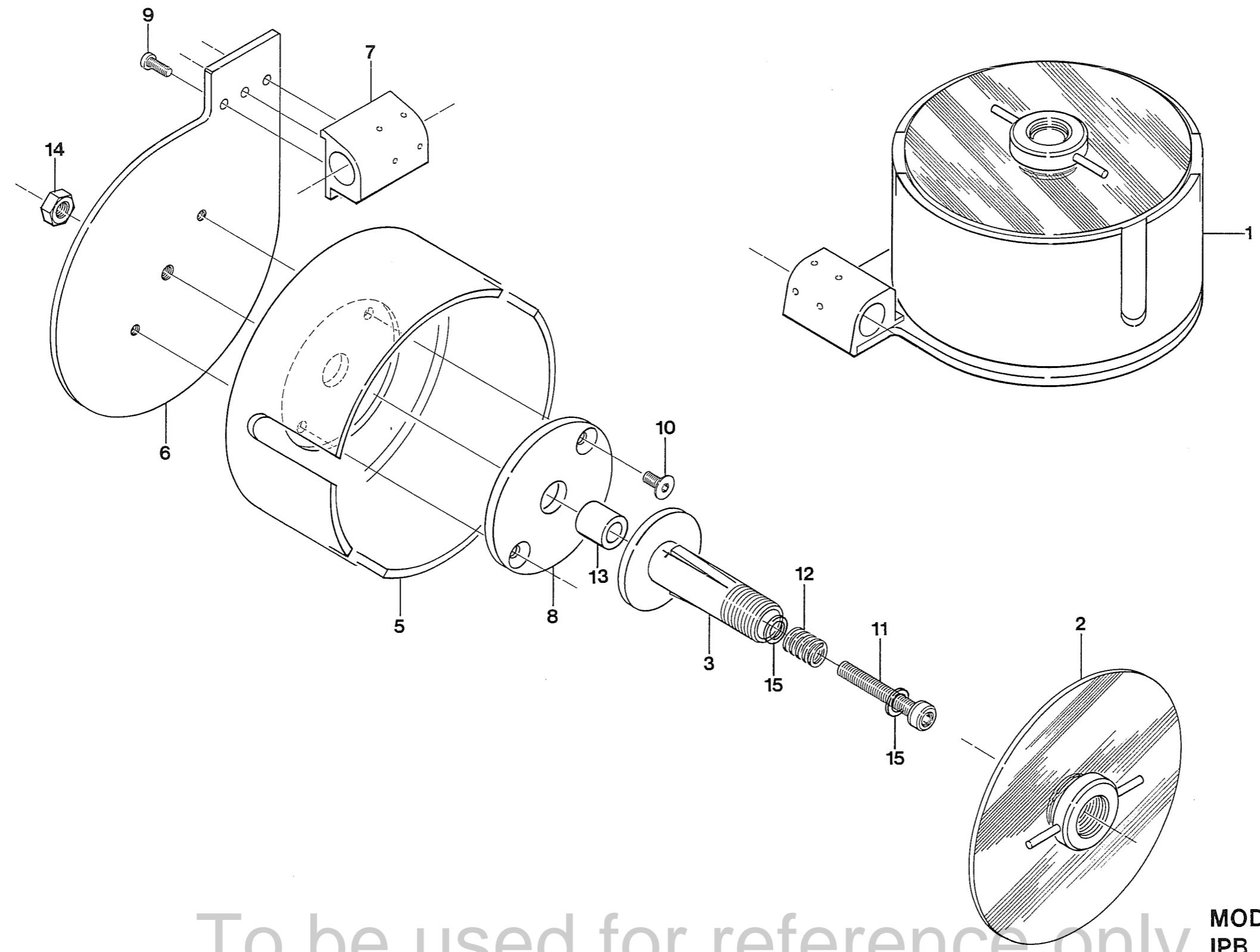
To be used for reference only

Property of Arc Machines, Inc.

THIS DOCUMENT OR DRAWING AND THE INFORMATION CONTAINED HEREIN IS THE PROPERTY OF ARC MACHINES, INC., IS PROPRIETARY, IS SUBMITTED AND RECEIVED IN CONFIDENCE, SHALL BE USED ONLY FOR THE PURPOSE FOR WHICH IT IS SUBMITTED AND SHALL NOT BE COPIED IN WHOLE OR IN PART WITHOUT THE PRIOR EXPRESS WRITTEN PERMISSION OF ARC MACHINES, INC.



ISSUED: 10 DEC 1996
REVISED: 02 SEPT 1998



To be used for reference only

MODEL 79-3500
IPB 950406
WIRE SPOOL HOLDER (4 INCH) ASSEMBLY

Property of Arc Machines, Inc.



IPB NUMBER: 950406

TO ORDER
USE PART NUMBER
DO NOT USE IPB
ITEM NUMBER

ARC MACHINES, INC.

DATE EFFECTIVE: 17 Dec 1996

DATE REVISED: 2 Sep 1998

PRODUCT MODEL: 79-3500

DESCRIPTION: WIRE SPOOL HOLDER (4 INCH) ASSY

MANUAL NUMBER: 730097

NOTES:

IPB ITEM NUMBER	QTY	U/M	PART NUMBER	DESCRIPTION
1	1	EA	13950406-01	WIRE SPOOL HOLDER
2	1	EA	13810413-01	COVER ASSY STD 4" DIA SPOOL
3	1	EA	13150405-01	SPINDLE 4.00 WIRE SPOOL
5	1	EA	42450400-01	CANISTER 4.00 WIRE SPOOL
6	1	EA	42950408-01	BRACKET HSG SUPPORT 4 IN
7	1	EA	42950406-02	RETAINER GUIDE WIRE
8	1	EA	42430402-01	WASHER FRICTION
9	3	EA	SFP06-32-0.37NP	SCREW FLH PHL 6-32 3/8 L
10	2	EA	SFS10-32-0.37NP	SCREW FLH SKT 10-32 .37L
11	1	EA	SCS25-20-1.50NP	SCREW CAP SKT 1/4-20 1-1/2 L
12	1	EA	S-312	SPRING CPRSN .37D .50L .055W
13	1	EA	DB1019	BEARING OIL-LESS .37ID .5D .50
14	1	EA	N25-20ZP-HEX-LK	NUT 1/4-20 LOCKING
15	3	EA	DB8D8	SPACER SHAFT .25ID .37D .031T

PRICE, PART NUMBER AND
DESCRIPTION SUBJECT TO
CHANGE WITHOUT NOTICE

Page 2 of 2

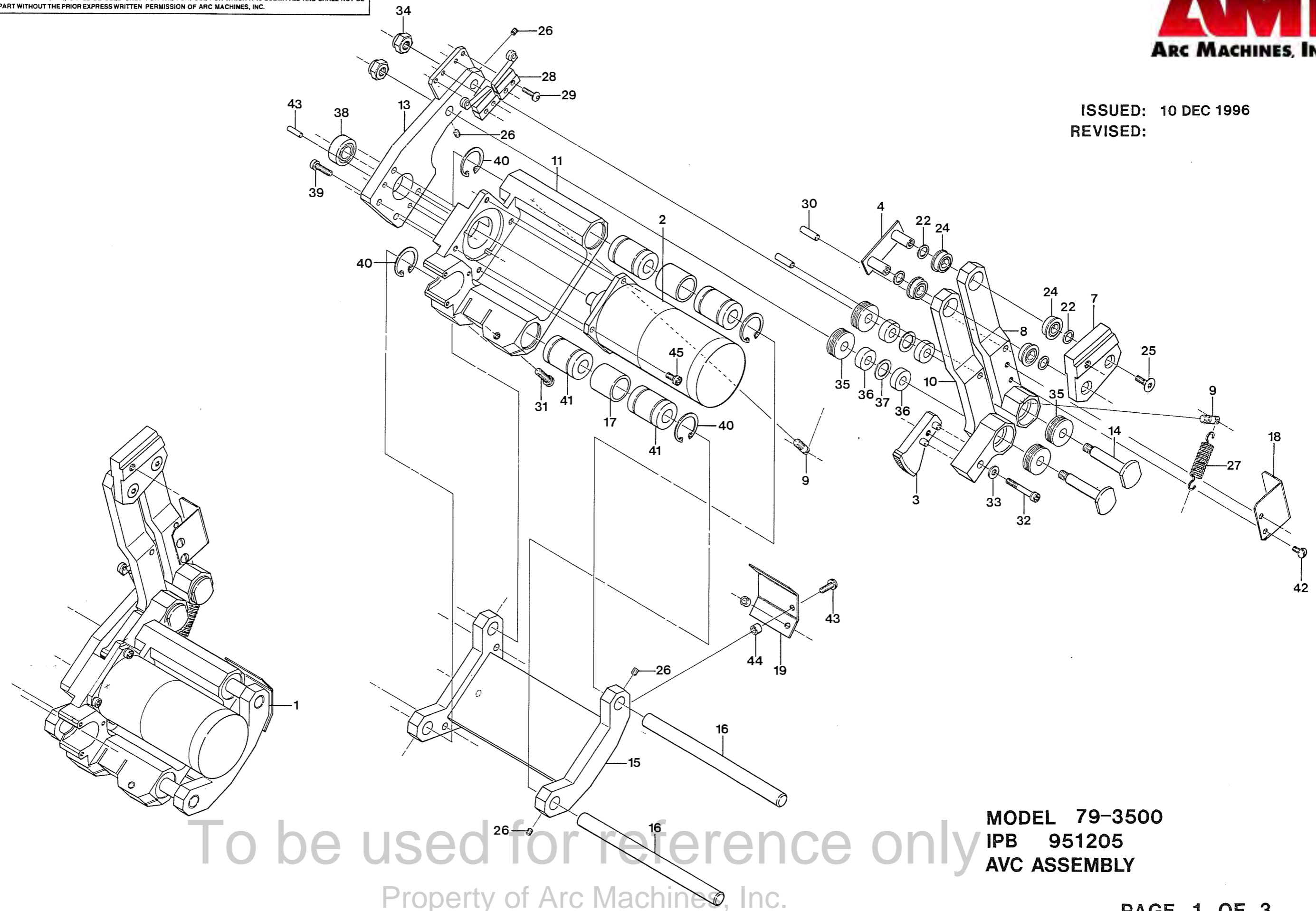
To be used for reference only

Property of Arc Machines, Inc.

THIS DOCUMENT OR DRAWING AND THE INFORMATION CONTAINED HEREIN IS THE PROPERTY OF ARC MACHINES, INC., IS PROPRIETARY, IS SUBMITTED AND RECEIVED IN CONFIDENCE, SHALL BE USED ONLY FOR THE PURPOSE FOR WHICH IT IS SUBMITTED AND SHALL NOT BE COPIED IN WHOLE OR IN PART WITHOUT THE PRIOR EXPRESS WRITTEN PERMISSION OF ARC MACHINES, INC.



ISSUED: 10 DEC 1996
REVISED:



To be used for reference only
Property of Arc Machines, Inc.

MODEL 79-3500
IPB 951205
AVC ASSEMBLY

ACCUGRAPHICS REORDER NO. AG-0000



IPB NUMBER: 951205
DATE EFFECTIVE: 18 Dec 1996
DATE REVISED: 10 Feb 1998

TO ORDER
USE PART NUMBER
DO NOT USE IPB
ITEM NUMBER

ARC MACHINES, INC.
PRODUCT MODEL: 79-3500
DESCRIPTION: AVC ASSEMBLY
MANUAL NUMBER: 730097
NOTES:

IPB ITEM NUMBER	QTY	U/M	PART NUMBER	DESCRIPTION
1	1	EA	13951205-01	AVC ASSY M95-35 AVC
2	1	EA	13951206-01	MOTOR AVC ASSY 7 RPM
3	1	EA	13951207-01	GEAR DRIVEN AVC ASSY
4	1	EA	13951203-01	SUPPORT SHAFT ASSY M95-35 AVC
7	1	EA	42951206-01	PLATE TORCH ADJUST
8	1	EA	42951208-01	ARM PARALLEL UPPER
9	2	EA	42951210-04	ANCHOR SPRING
10	1	EA	42951207-01	ARM PARALLEL LOWER
11	1	EA	42951300-01	SLIDE OSCILLATOR
13	1	EA	42951209-01	PLATE BASE AVC
14	2	EA	42951216-01	SHAFT PIVOTING AVC
15	1	EA	42951304-01	BRACKET SLIDE
16	2	EA	42951303-03	SHAFT ARM
17	2	EA	42951208-03	SPACER BUSHING
18	1	EA	42951216-02	COVER AVC LIMIT SWITCH
19	1	EA	42951310-01	COVER OSCILLATOR SLIDE
22	2	EA	DB6D4	SPACER SHAFT .18ID .25D .010T
23	5	EA	DB6D24	SPACER SHAFT .18ID .25D .002T
24	4	EA	SSRIF-6632DD [BEARING BALL .18.37[RA3P25LY15
25	2	EA	SFS04-40-0.31NP	SCREW FLH SKT 4-40 5/16 L
26	6	EA	SSS04-40-12NPCU	SCREW SET SKT 4-40 1/8 L CUPT
27	1	EA	5962	SPRING EXT .25OD .037W 1.12L
28	2	EA	MMGGD1W2C	SWITCH LIMIT LEAF ROLLER
29	4	EA	SBS02-56-0.31NP	SCREW BTH SKT #2-56 X 5/16
30	2	EA	PD12-0.37H	PIN DOWEL HARD 1/8D 3/8L
31	2	EA	SCS06-32-0.43NP	SCREW CAP SKT 6-32 7/16 L
32	1	EA	SCS04-40-0.62NP	SCREW CAP SKT 4-40 5/8 L
33	1	EA	W04ZP-FL	WASHER FLAT #4
34	2	EA	N08-32SS-HEX-LG	NUT 8-32 SS LOCKING
35	4	EA	B5-2-SS	BEARING THRUST .18B .50D .18T
36	4	EA	SSRI-814DDRA3 [BEARING BALL .25 .50 [P25LY15]
37	2	EA	DB3D61	SPACER SHIM .253ID .373D .031T
38	1	EA	SSRI-814DDRA3 [BEARING BALL .25 .50 [P25LY15]
39	7	EA	SCS04-40-0.37NP	SCREW CAP SKT 4-40 3/8 L
40	4	EA	N5000-50-H	RTNG RING BASIC INTL .500 HSG
41	4	EA	SUPER-4CR	BEARING BALL BSHG .25B.50D.75L
42	2	EA	SIL02-56-0.18NP	SCREW BDH SLT 2-56 3/16 L

PRICE, PART NUMBER AND
DESCRIPTION SUBJECT TO
CHANGE WITHOUT NOTICE

To be used for reference only

Property of Arc Machines, Inc.



IPB NUMBER: 951205
DATE EFFECTIVE: 18 Dec 1996
DATE REVISED: 10 Feb 1998

TO ORDER
USE PART NUMBER
DO NOT USE IPB
ITEM NUMBER

ARC MACHINES, INC.

PRODUCT MODEL: 79-3500
DESCRIPTION: AVC ASSEMBLY
MANUAL NUMBER: 730097
NOTES:

IPB ITEM NUMBER	QTY	U/M	PART NUMBER	DESCRIPTION
43	2	EA	SIL04-40-0.18NP	SCREW BDH SLT 4-40 3/16 L
44	2	EA	DB4D10	SPACER SHAFT .12ID .18D .094T
45	4	EA	SCS04-40-0.25NP	SCREW CAP SKT 4-40 1/4 L

PRICE, PART NUMBER AND
DESCRIPTION SUBJECT TO
CHANGE WITHOUT NOTICE

Page 3 of 3

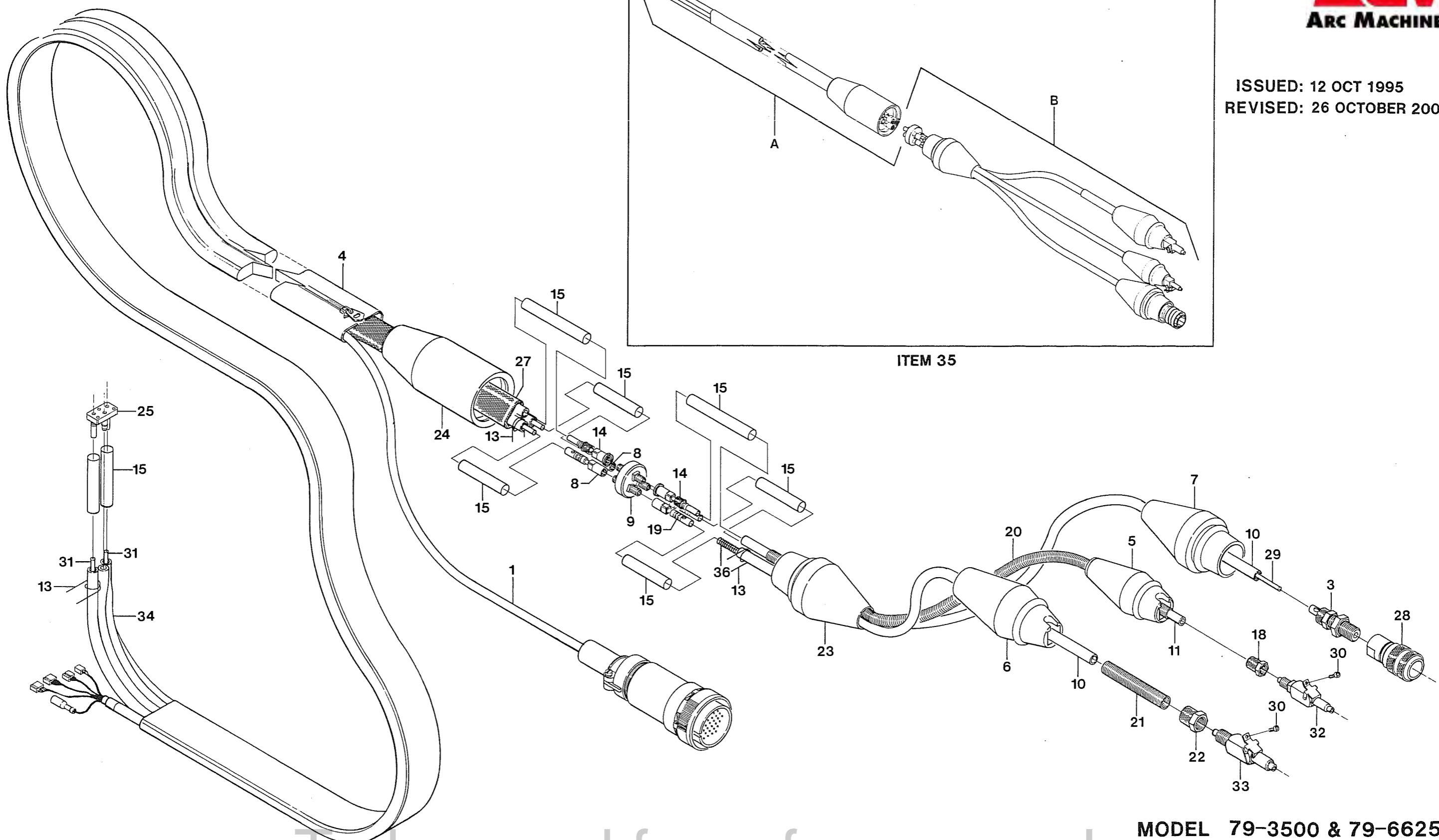
To be used for reference only

Property of Arc Machines, Inc.

THIS DOCUMENT OR DRAWING AND THE INFORMATION CONTAINED HEREIN IS THE PROPERTY OF ARC MACHINES, INC., IS PROPRIETARY, IS SUBMITTED AND RECEIVED IN CONFIDENCE, SHALL BE USED ONLY FOR THE PURPOSE FOR WHICH IT IS SUBMITTED AND SHALL NOT BE COPIED IN WHOLE OR IN PART WITHOUT THE PRIOR EXPRESS WRITTEN PERMISSION OF ARC MACHINES, INC.



ISSUED: 12 OCT 1995
REVISED: 26 OCTOBER 2000



ITEM 35

To be used for reference only
Property of Arc Machines, Inc.

MODEL 79-3500 & 79-6625
IPB 950816
CABLE SERVICE ASSEMBLY

4200GRAPHICS RECORDER NO. AG4400



IPB NUMBER: 950816
 DATE EFFECTIVE: 17 Dec 1996
 DATE REVISED: 26 Oct 2000

TO ORDER
 USE PART NUMBER
 DO NOT USE IPB
 ITEM NUMBER

ARC MACHINES, INC.
 PRODUCT MODEL: M79-6625
 DESCRIPTION: CABLE SERVICE ASSEMBLY
 MANUAL NUMBER: 730098
 NOTES: ALSO IN 730097

IPB ITEM NUMBER	QTY	U/M	PART NUMBER	DESCRIPTION	
1	1	EA	13950817-01	CABLE CONTROL M95-3500	
2	1	EA	-	-----	
3	1	EA	42060800-07	FTG COUPLING HOSE/CABLE	
4	1	EA	ZT93-07-007A	TBG ZIPPER 8 FT LENGTH	
5	1	EA	42060805-04	BOOT MALE GAS	
6	1	EA	42060804-03	BOOT MALE WATER	
7	1	EA	42060804-01	BOOT MALE POWER/GROUND	
8	2	EA	2PF1	FTG 1/4-28 FEMALE	
9	1	EA	13450805-01	ADAPTER ASSY	
10	21	FT	42090806-01	TBG POLYU/ETHR BRAID 1/4ID 3/8	
11	11	FT	42150810-01	TBG TEFLON (PTFE NAT)	
13	1	IN	MS20995C25	LOCKWIRE 1LB SPOOL .025D 304SS	
14	2	EA	13450806-01	FTG GAS CLAMP-NUT 1/4-28 FEM	
15	9	IN	FP-301-0.37	TBG SHRINK	
18	1	EA	261-PG-04	FTG NUT/SLEEVE SPRING 1/4 TUBE	
19	2	EA	ARC-1881	FTG WTR/PWR-CA CRIMP 1/4-28	BRASS SWIVEL NUT (FEMALE)
20	1	EA	AS200718	SPRING GUARD .34 OD 18.00 LG	
21	1	EA	AS200717	SPRING GUARD .48 OD 18 IN LG	
22	1	EA	261-PG-06	FTG NUT/SLEEVE SPRING 3/8 TBG	
23	1	EA	42450806-03	BOOT MALE (42060804-01)	
24	1	EA	42450806-04	BOOT FEMALE (42060804-02)	
25	1	EA	13950822-01	MANIFOLD WATER/GAS M95-35 AVC	
27	36	IN	TJ-S-10	SLEEVE FIBERGLASS 5/8 IN NAT	
28	1	EA	42060800-02	CPLG Q/D WATER FEM MOD SM-251B	
29	1	FT	NER7-95-36T	CABLE COPPER ROPE 8 AWG TINNED	
30	2	EA	SCS04-40-0.31NP	SCREW CAP SKT 4-40 5/16 L	
31	21	FT	NER7-37-36T	CABLE COPPER ROPE 12 GA	
32	1	EA	1351109-01	COUPLING Q/D ASSY MALE GAS	
33	1	EA	1351110-01	COUPLING Q/D ASSY MALE GAS	
34	9.7	FT	C2101543	TBG POLYU/ETHER BASE 3 BONDED	.170 ID x .250 OD
35	1	EA	13790803-01	CABLE ASSY POWER/WATER	M79-3500/79-6625
35A	1	EA	13790804-01	CABLE ASSY POWER/WATER	M79-3500/79-6625
35B	1	EA	13790802-01	CABLE ASSY POWER ADAPTER -	WELD HEAD END
36	0.6	FT	SS3-26	SPRING EXT .18D .026W 20 IN SS	

PRICE, PART NUMBER AND
 DESCRIPTION SUBJECT TO
 CHANGE WITHOUT NOTICE

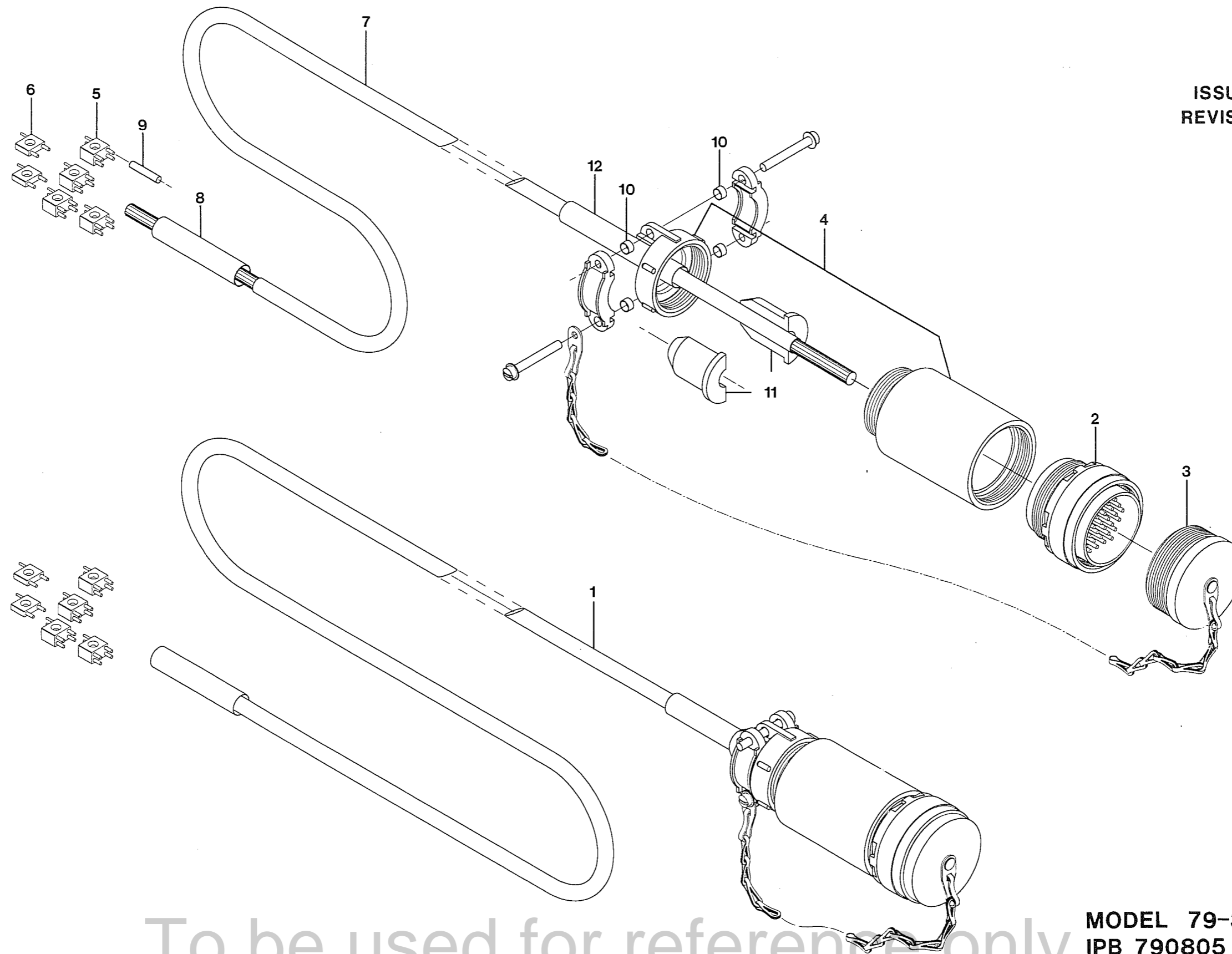
To be used for reference only

Property of Arc Machines, Inc.

THIS DOCUMENT OR DRAWING AND THE INFORMATION CONTAINED HEREIN IS THE PROPERTY OF ARC MACHINES, INC., IS PROPRIETARY, IS SUBMITTED AND RECEIVED IN CONFIDENCE, SHALL BE USED ONLY FOR THE PURPOSE FOR WHICH IT IS SUBMITTED AND SHALL NOT BE COPIED IN WHOLE OR IN PART WITHOUT THE PRIOR EXPRESS WRITTEN PERMISSION OF ARC MACHINES, INC.



ISSUED: 26 OCTOBER 2000
REVISED:



To be used for reference only

Property of Arc Machines, Inc.

MODEL 79-3500
IPB 790805
CABLE CONTROL ASSEMBLY



IPB NUMBER: 790805
DATE EFFECTIVE: 26 Oct 2000
DATE REVISED: 26 Oct 2000

TO ORDER
USE PART NUMBER
DO NOT USE IPB
ITEM NUMBER

ARC MACHINES, INC.
PRODUCT MODEL: 79-2375
DESCRIPTION: CABLE CONTROL ASSEMBLY
MANUAL NUMBER: 730096
NOTES: ALSO IN: 730097 & 730098

IPB ITEM NUMBER	QTY	U/M	PART NUMBER	DESCRIPTION	
1	1	EA	13950817-01	CABLE CONTROL M95-3500	
2	1	EA	MS3106A28-21PX[CONN 37 PIN STRAIGHT [F42]	W/X INSERT POSN W/OUT ENDBELL
3	1	EA	1350110-06	DUST CAP ASSY W/CHAIN(MALE28D)	
4	1	EA	G1501A2816A3A	CONN BACKSHELL	
5	4	EA	JF2P2SCD	CONN 4 PIN PLUG MINIATURE	
6	2	EA	JF1P1SB	CONN MINTR 2 PIN PLUG	
7	12	FT	CWPT12661	CABLE 13 TP 24 AWG SHIELD BLK	
8	2	IN	M23053/5-107-0	TBG SHRINK 3/8 ID BLK	
9	24	IN	M23053/5-104-0	TBG SHRINK 1/8 ID BLK	
10	0.1	FT	1017	TBG SILICONE 5/32ID	
11	1	EA	4255287-01	STRAIN RELIEF CONTROL CABLE	
12	2	IN	M23053/5-108-0	TBG SHRINK 1/2 ID BLK	

PRICE, PART NUMBER AND
DESCRIPTION SUBJECT TO
CHANGE WITHOUT NOTICE

Page 2 of 2

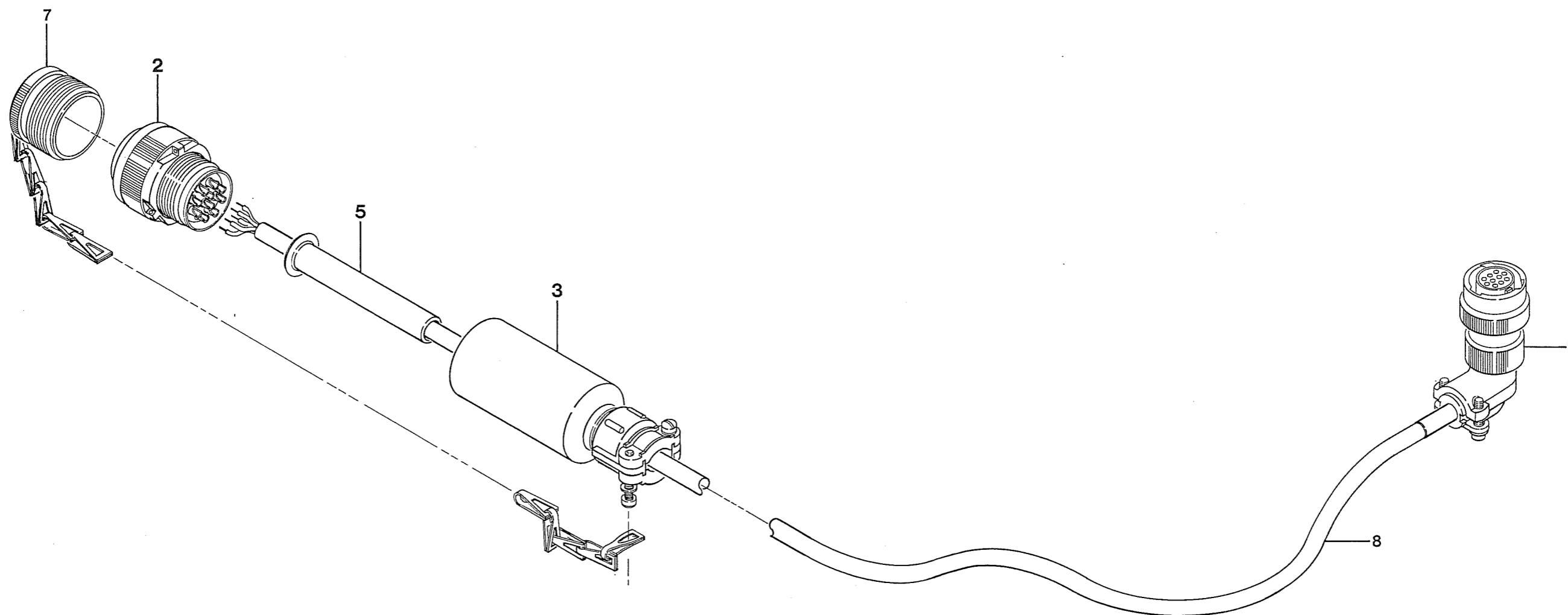
To be used for reference only

Property of Arc Machines, Inc.

THIS DOCUMENT OR DRAWING AND THE INFORMATION CONTAINED HEREIN IS THE PROPERTY OF ARC MACHINES, INC., IS PROPRIETARY, IS SUBMITTED AND RECEIVED IN CONFIDENCE, SHALL BE USED ONLY FOR THE PURPOSE FOR WHICH IT IS SUBMITTED AND SHALL NOT BE COPIED IN WHOLE OR IN PART WITHOUT THE PRIOR EXPRESS WRITTEN PERMISSION OF ARC MACHINES, INC.



ISSUED: 01 SEPT 1993
REVISED: 29 AUG 1995



To be used for reference only

Property of Arc Machines, Inc.

MODEL 79-3500
IPB 950801
CABLE HANDLE ASSEMBLY



IPB NUMBER: 950801
DATE EFFECTIVE: 17 Dec 1996
DATE REVISED: 22 Apr 1998

TO ORDER
USE PART NUMBER
DO NOT USE IPB
ITEM NUMBER

ARC MACHINES, INC.
PRODUCT MODEL: 79-3500
DESCRIPTION: CABLE HANDLE ASSEMBLY
MANUAL NUMBER: 730097
NOTES:

IPB ITEM NUMBER	QTY	U/M	PART NUMBER	DESCRIPTION
1	1	EA	851-06EC12-10S[CONN 10 SKT PLUG MINI [50]
2	1	EA	MS3106E18-1P	CONN 10 PIN PLUG
3	1	EA	G1501N186A3A	CONN BACKSHELL
4	1	EA	-	-----
5	1	EA	MS39056-3	CONN TELESCOPIC BUSHING
7	1	EA	1350110-04	DUST CAP ASSY W/CHAIN(MALE18D)
8	11	FT	CWT11943	CABLE 9 COND 22 AWG SHLD WHT

PRICE, PART NUMBER AND
DESCRIPTION SUBJECT TO
CHANGE WITHOUT NOTICE

Page 2 of 2

To be used for reference only

Property of Arc Machines, Inc.